

# TT2

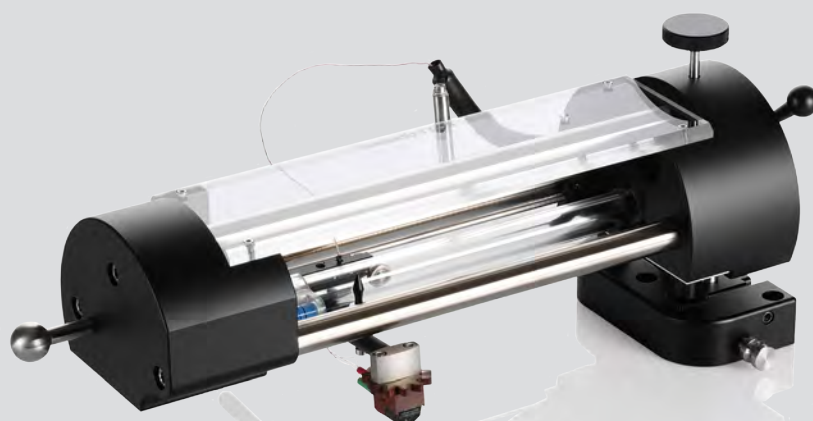


Loving music

## User manual Bedienungsanleitung



Pic. similar / Abb. ähnlich



Pic. similar / Abb. ähnlich





User manual .....2 - 19



Bedienungsanleitung.....20 - 37

Dear audio enthusiast,

Congratulations! You have purchased one of the best tangential tonearms available in the world of high-end audio.

Your **Clearaudio** *TT2* tonearm has the capability to extract unprecedented performance from absolutely ANY phono cartridge!

To achieve the full performance and to avoid any damages to this product, please take your time to get familiar with your **Clearaudio** *TT2* tonearm.

Your **Clearaudio** *TT2* tonearm will give you many years of musical enjoyment and pleasure.

**Clearaudio electronic GmbH**



## Safety instructions

### 1. General information

Check the tonearm for any damage before using it. Do not connect the tonearm if damaged!

Never connect the tonearm if it has been dropped or gotten wet, contact your dealer to have the tonearm checked.

Never expose the tonearm to rain or moisture.

The inside of the tonearm is maintenance free. Never open the case or attempt to repair the unit yourself, since this can lead to loss of warranty!

Before using the tonearm for the first time or after a long period of inactivity the lift must be operated approx. 4-5 times to loosen the grease in the tonearm lift to lower the lift bar evenly again.

### 2. Intended use

The *772* is a tonearm for playing music and is intended exclusively for use on turntables.

Only use the *772* tonearm in accordance with the information provided in the user manual.

### 3. Location of installation

Avoid locations with direct sunlight, temperature fluctuations and high humidity. Likewise, avoid placing electronic devices near heaters, heat lamps, or other devices that produce heat.

The device is designed for operation at room temperature.

No objects with an open flame may be placed on or near the device (burning candles or similar).

### 4. Maintenance

Please make sure that the precision dry ball bearings are not touched, cleaned or lubricated in any way.

Never move or readjust the screws in the tonearm carriage. They should be adjusted only by qualified dealers or at the **Clearaudio** factory.

Use a cotton bud and a commercially available glass cleaner to clean the glass tube. Put some glass cleaner on the cotton bud and slide it through the glass tube with a movement from the inlet to the outlet groove.

Never use aggressive cleaning agents.

Do not use dry cloths for cleaning as this generates static electricity. Suitable cleaning and care products from **Clearaudio** are available at [www.analogshop.de](http://www.analogshop.de) or from specialist retailers.

Only use a soft cloth with a smooth surface or a soft brush for cleaning.

## 5. Health information

Permanently high volume can lead to various types of hearing damage. Use high volume responsibly!

## 6. Service

The TT2 tonearm should be repaired during the guarantee period by the manufacturer only, otherwise the warranty claim expires. All **Clearaudio** products should only be serviced by specialist retailer.

If, despite the high production standard, a service is necessary, the TT2 tonearm must be send to **Clearaudio** through your dealer.

## 7. Transport

Use the original packing material for further transportation of the TT2 tonearm, otherwise serious damage could occur.

Be sure to pack the device exactly as it was shipped.  
Safe transport is only guaranteed in the original packaging.

**During any transportation of the tonearm, always protect the carriage with a piece of foam so that the carriage cannot move during transportation.**

**When repackaging the tonearm, please follow in reverse the steps indicated in this manual for installation and setup.**

## 8. Disposal



Do not dispose this product together with other waste.  
WEEE Reg. No.: DE26004446

## 9. CE Marking



This electronic product corresponds to the applicable guidelines for obtaining the CE mark.



## Contents

<b>1. List of components.....</b>	<b>6 - 7</b>
<b>2. Mounting the tonearmbase.....</b>	<b>8 - 10</b>
<b>2.1 on the Clearaudio Performance DC / Ovation</b>	
<b>2.2 on any Clearaudio Innovation series turntable</b>	
<b>2.3 on other manufacturer's turntables</b>	
<b>3. TT2 set up .....</b>	<b>11 - 12</b>
<b>4. Inserting the headshell tube .....</b>	<b>12 - 13</b>
<b>5. Mounting the cartridge .....</b>	<b>13</b>
<b>6. Pre-setting the tracking force.....</b>	<b>14</b>
<b>7. Fine adjustment of the tonearm .....</b>	<b>15 - 17</b>
<b>7.1 Adjustment of the tangential alignment</b>	
<b>7.2 Adjustment of the VTA</b>	
<b>7.3 Adjustment of the azimuth</b>	
<b>8. Troubleshooting.....</b>	<b>18</b>
<b>9. Technical data.....</b>	<b>19</b>
<b>Warranty information .....</b>	<b>38 - 39</b>

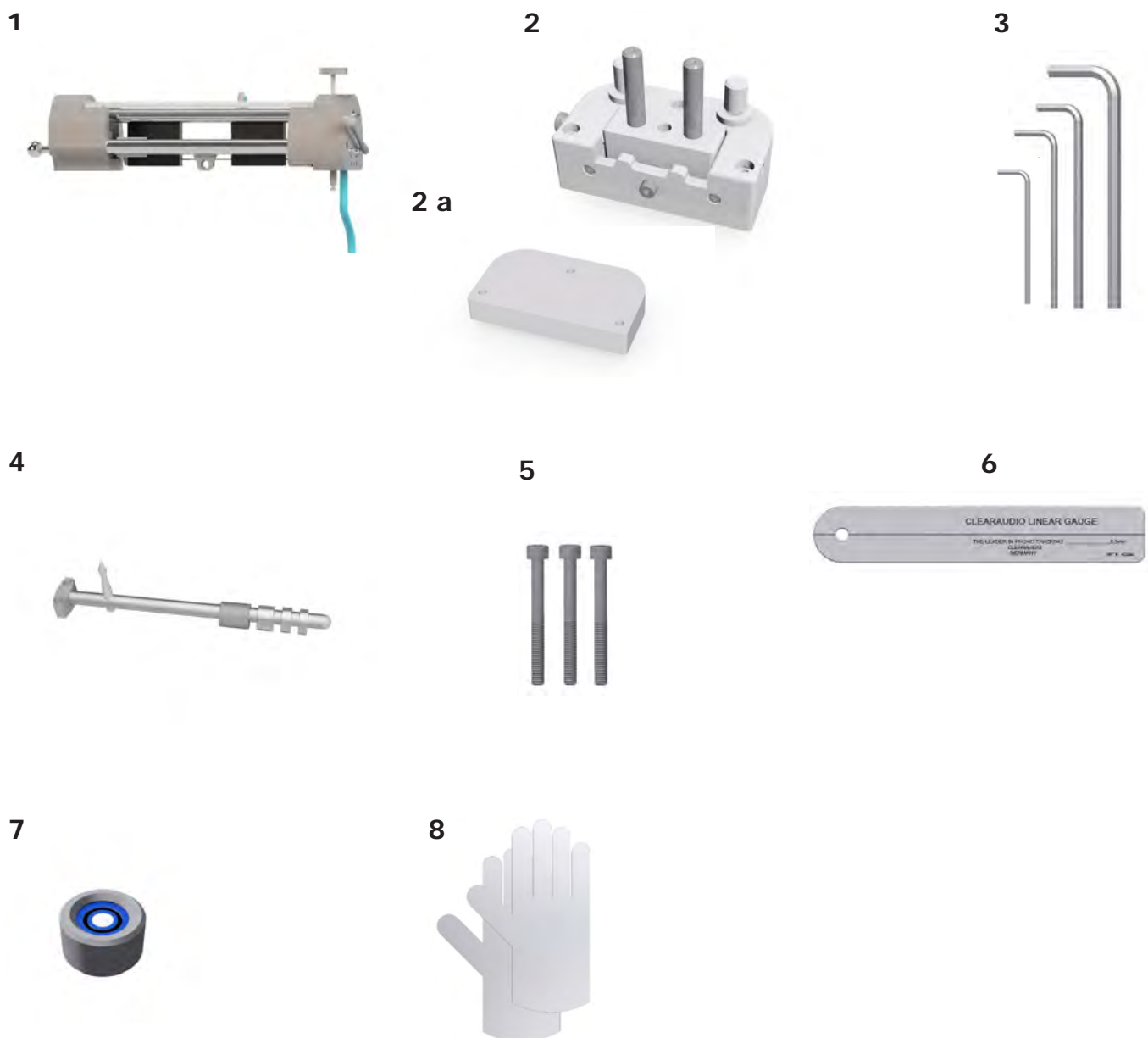
## 1. List of components

The **Clearaudio TT2** tonearm is delivered in a special packing to ensure its safe transport. Please check the contents as shown in the picture below.

**Important note:**

Please take special care of the tonearm cable while unpacking your **Clearaudio TT2** tonearm!

**Note: All threads are metrical!**



Pic. 1: List of components

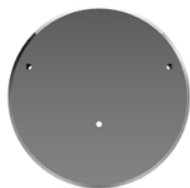


1.	TT2 tonearm with pre-mounted tonearm carriage	6.	<b>Clearaudio</b> linear gauge (alignment gauge to adjust tangential tracking)
2.	Aluminium folding base with pre-assembled height adaptor (10mm) and screws M4x40	7.	<b>Clearaudio</b> Mini Level Gauge
2 a	Height adaptor (14.5mm)		
3.	1x Hex wrench (# 1.5) 1x Hex wrench (# 2) 1x Hex wrench (# 2.5) 1x Hex wrench (# 3)	8.	1 pair of white gloves
4.	High-precision silver carbon fibre arm tube and stainless steel headshell with pre-mounted counterweights 4pcs: 2.3g / 2.6g / 4.3g / 8g /17.6g for Goldfinger Statement; (without cartridge)	9.	Not shown: Warranty card; user manual; <b>Clearaudio</b> Quality Certificate (CQC) and return delivery note
5.	<u>Base mounting screws:</u> 3x M4 x 30mm (for mounting without height adaptor)  <u>Cartridge mounting screws</u> (not shown): 2x M2.5 x 12mm 2x M2.5 x 14mm		

## 2. Mounting the tonearm base and folding base

### 2.1 Mounting the tonearm base and folding base on a Clearaudio Performance DC or Ovation turntable

Please check if the correct tonearm base is mounted on your turntable (Pic. 2).



**Pic. 2:** Tonearmbase for Performance DC & Ovation (Art. No. AC031-3)

If not, place the turntable on the edge of a table or similar surface, so you have access to the tonearm base from below. Remove the previous tonearm base by loosening the six M4 x 35mm screws with a hex wrench on the bottom side of the clamping ring.

Exchange the tonearm base for the correct one (see pic. 2) and loosely tighten it so the tonearm base is still rotatable.

Now you can fit the folding base and the dedicated height-adaptor with the screws provided (Pic. 1, #5; page 5), using the hex wrench #3 (Pic. 1, #3; page 5). Please make sure that the bases sit perfect on the turntable.

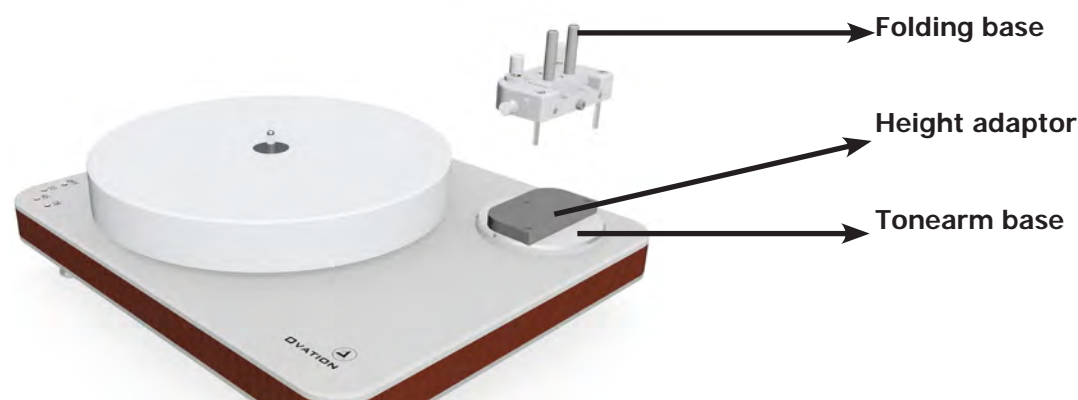
To mount the height adaptor with 14.5mm and 10mm you will need the M4 x 40 screws which are already pre-mounted.

If you don't need the height adaptor, then use the M4 x 30 screws (Pic. 1, #5; page 5).

The height adaptor will be required depending on the dimensions of the turntable and cartridge.

Our dealer/distributor will help you or contact **Clearaudio** directly.

Now you can tighten all of the screws (see Pic. 4).



**Pic. 3:** Mounting the folding base



**Pic. 4:** Tightening the screws



## 2.2 Mounting the tonearm base and folding base on a Clearaudio Innovation series turntable

Please check that the correct tonearm base is mounted on your turntable (Pic. 5).



**Pic. 5:** Tonearmbase for Innovation Serie (Art. No. AC030-7)

If the tonearm base is already pre-assembled, it is in a position which is optimized for the packaging. The position of the tonearm base will be correct during the adjustment of the tonearm.

If not, then remove previous tonearm base by loosening the screw of the aluminium base with a 7mm hex wrench.

Exchange the tonearm base for the correct one (see Pic. 5) and place it so that the long side of the tonearm base points counter-clockwise. Now you can loosely tighten it so that the tonearm base is still rotatable.

Next, fit the folding base and the dedicated height adaptor with the screws provided (Pic. 1, #5; page 5) and the hex wrench #3 (Pic. 6). Please make sure that the bases sit perfectly on the turntable.

To mount the height adaptor with 14.5mm and 10mm you will need the M4 x 40 screws which are already pre-mounted. If you don't need the height adaptor, then use the M4 x 30 screws (Pic. 1, #5; page 5).

The height adaptor will be required depending on the dimensions of the turntable and cartridge. Our dealer/distributor will help you or contact **Clearaudio** directly.

Now you can tighten all the screws (see Pic. 7).



**Pic. 6:** Mounting the folding base



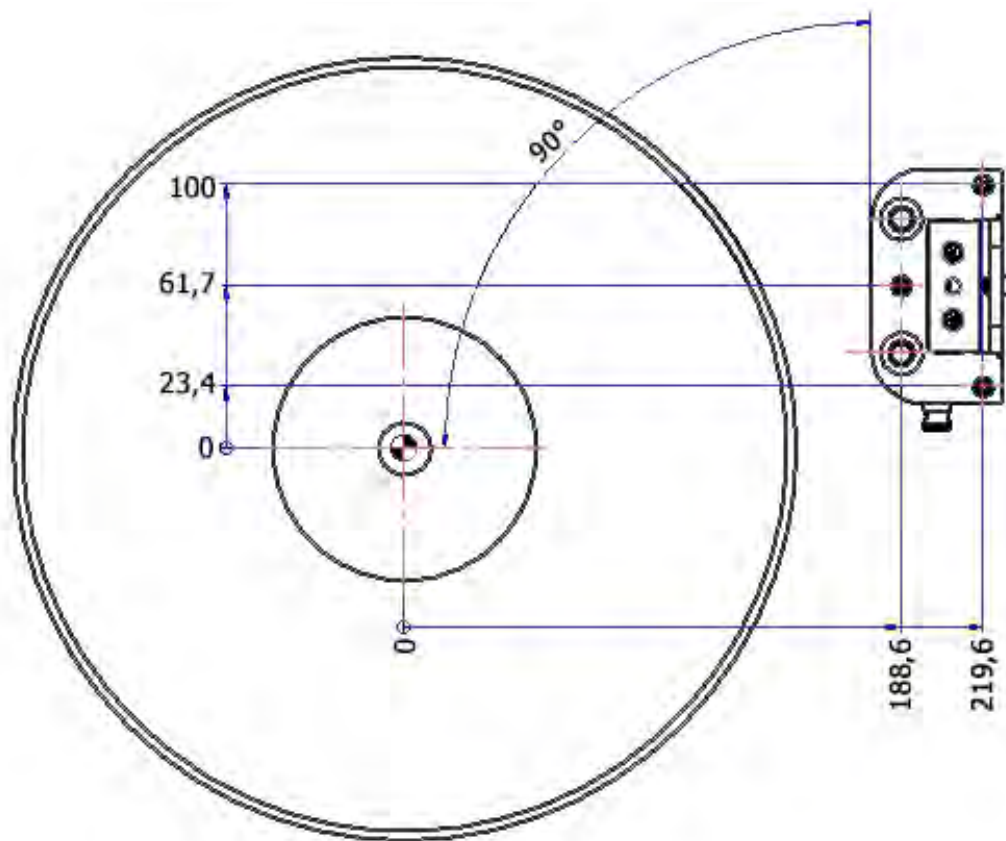
**Pic. 7:** Tightening the screws

### 2.3 Mounting the tonearm base and folding base on a other manufacturers' turntables

In order to mount the tonearm base on the turntable chassis, please first drill three holes into the turntable chassis. To ensure the correct position of the three holes, please use the measurements given in the drawing template below. For this step, use a 3.3mm drill. After you have drilled the three holes, thread the holes using an appropriate tap cutter. If the material of the turntable chassis is not suitable for threading, please use a 4.5mm drill for the holes. In this case you will need longer screws with nuts to fit the tonearm base.

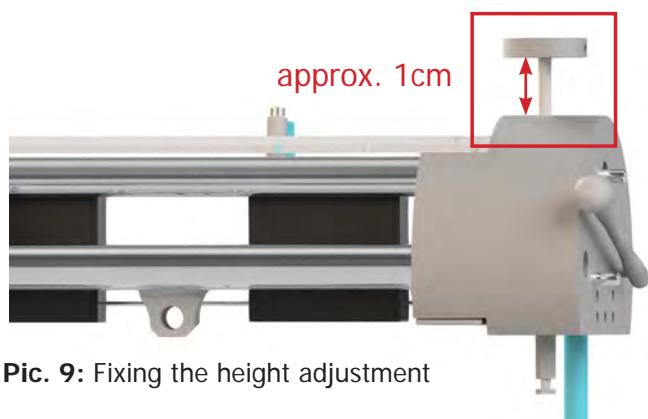
Now you can mount the tonearm base on the clean and dry surface of the turntable chassis.

Please note that this image is not true to scale.



**Pic. 8:** Drilling template

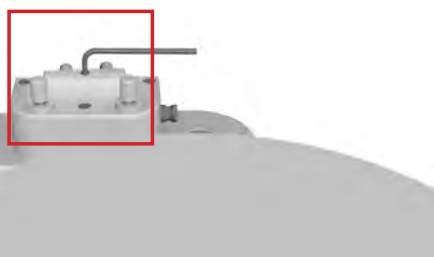
### 3. TT2 set up



**Pic. 9:** Fixing the height adjustment

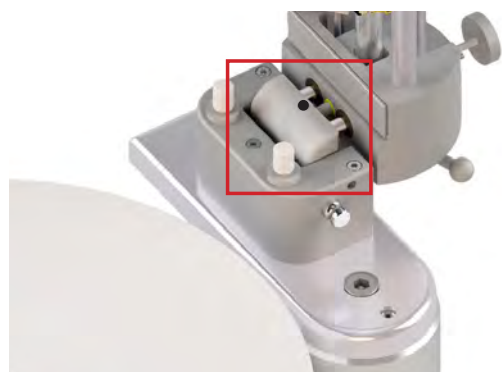
Please remove the foam used for safe transportation of the tonearm carriage.

Turn the height adjustment screw clockwise until the gap between head of the screw and tonearm housing is approx. 1cm.



**Pic. 10:** Remove the height adjustment screw

Remove the height adjustment screw by loosening with 2.5mm hex wrench (Pic. 10).



**Pic. 11:** Mounting the tonearm

Now open the folding base so that the rods are horizontal and place the tonearm on the support bars until the lower end of the height adjustment screw becomes visible in the height adjustment screw hole (Pic. 11).



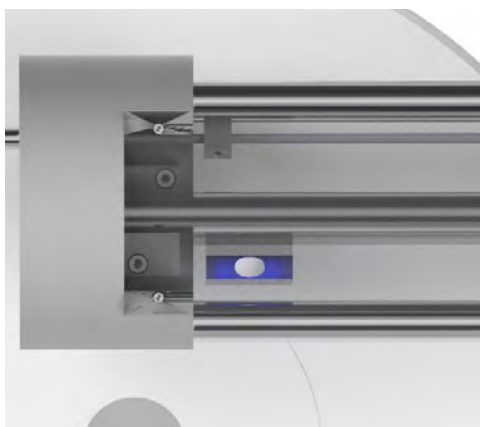
**Pic. 12:** Secure the tonearm

Secure this setting by re-inserting the height adjustment screw and tightening it by hand (Pic. 12).



Pic. 13: Adjustment of the angle

Now you can align the tonearm's horizontal level by adjusting the angle with the grub screw pictured in Pic. 13, using a hex wrench #2.



Pic. 14: Level Gauge

Make sure that the bubble of the level gauge (Pic. 14) is levelled in the middle of the gauge.

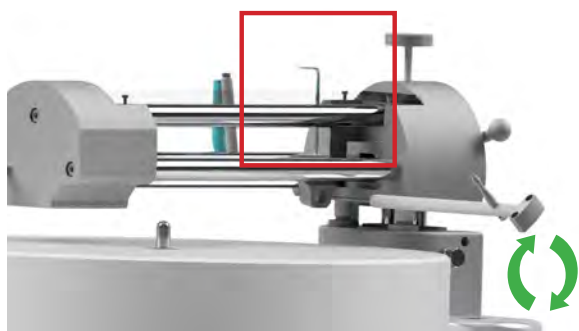
#### 4. Inserting the headshell tube

For the next step remove all counterweights from the headshell tube.

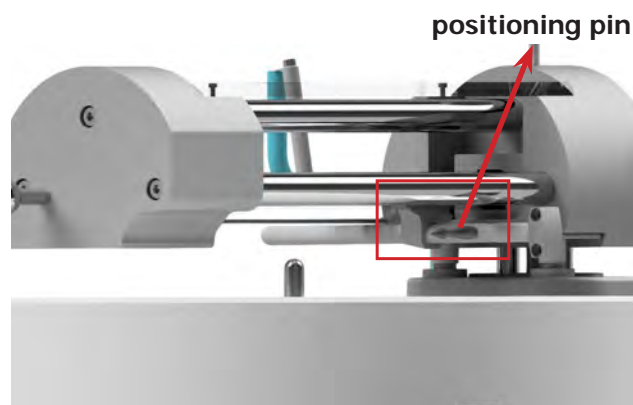
Slide the tonearm carriage toward the tonearm base.

Through the small hole in the cover plate, you can loosen the headshell tube fixing screw with the 1.5mm hex wrench (Pic. 15).

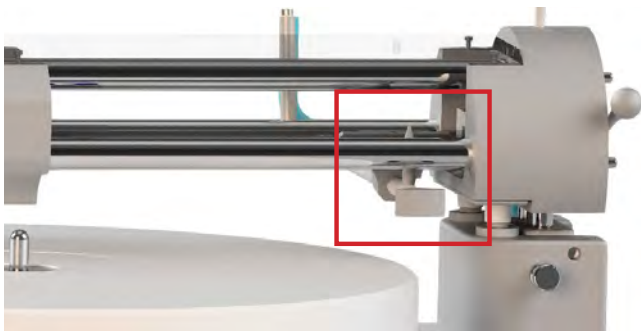
Insert the headshell tube into the tonearm carriage, rotating it 90 degrees so that you can position the positioning pin behind the forward tonearm bar. Then you can rotate the headshell tube back to its upright position (Pic. 16-18).



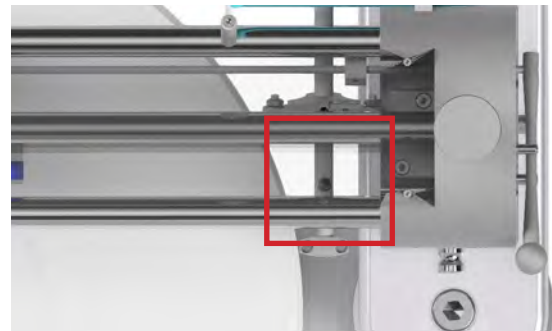
Pic. 15: Inserting the headshell tube



Pic. 16: Turning the headshell tube



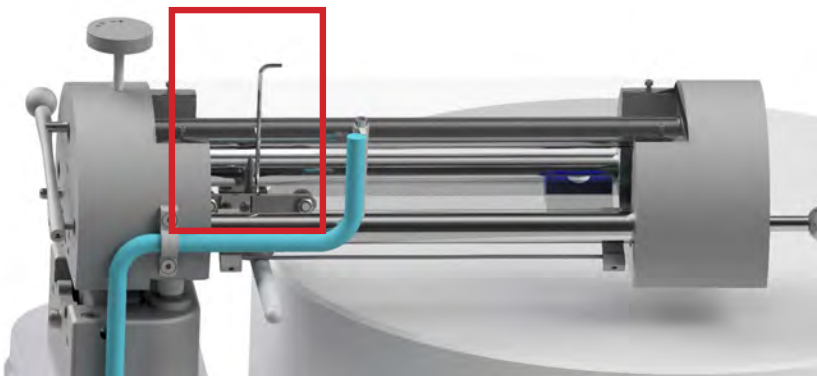
**Pic. 17:** Final position after inserting the headshell tube



**Pic. 18:** Correct position of the headshell tube

To fix the headshell tube, slide the tonearm carriage back towards the tonearm base.

Through the small opening in the cover plate you can tighten the headshell tube easily with the 1.5mm hex wrench (Pic. 19).



**Pic. 19:** Fixing the headshell tube (rear view)

## 5. Mounting the cartridge

The following settings require mounting the cartridge on the headshell.

Always follow the cartridge manufacturer's instructions.

Use the screws provided to mount the cartridge onto the headshell.

**Leave the stylus protector on your cartridge to avoid any damages!**

Please note:

This tonearm is suitable for all cartridges with a weight of 7g and above.

If your cartridge is lighter, please use an additional weight (headshell plate).

Available through your dealer/distributor or **Clearaudio**: [info@clearaudio.de](mailto:info@clearaudio.de)

Now you can connect the respective signal cable with the matching color pins of the cartridge.

Please note the following colour coding:

<b>Red:</b>	right channel / R+
<b>Green:</b>	right channel / R-
<b>White:</b>	left channel / L+
<b>Blue:</b>	left channel / L-

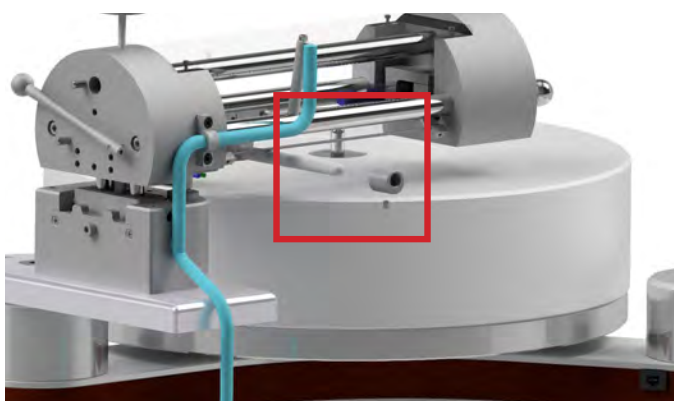
## 6. Pre-Setting the tracking force

**To make the adjustment, first remove the stylus protector. Please handle all equipment with care to avoid any damage.**

By pulling the security bolt of the folding base you can release the tonearm from its vertical position to lower it onto the turntable platter.

Use one of the counterweights supplied to pre-adjust the tracking force by sliding it onto the back of the headshell tube (Pic. 20).

The choice of counterweight depends on the weight of the cartridge.



Pic. 20: Mounting the counterweight

**Please only pre-adjust the tracking force of the cartridge.  
The correct setting will be made at the end of the tonearm settings.**

Use the 1.5mm hex wrench to tighten the counterweight fixing screws.

To tighten the screws, we recommend lifting the tonearm back to the vertical position (see Pic. 21).



Pic. 21: Fixing the counterweight

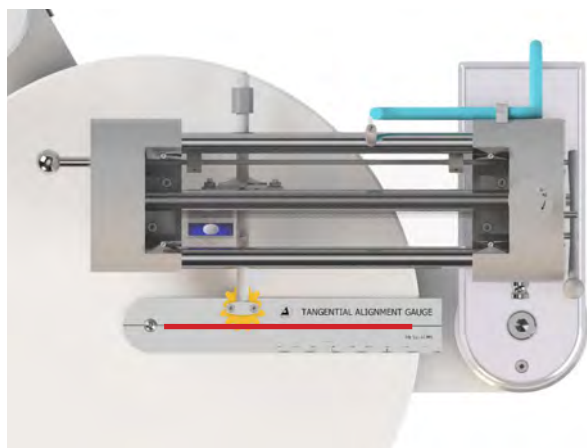
To check the tracking force, we recommend the **Clearaudio** Weight Watcher touch digital cartridge weight (Art. No. AC163, also available at [www.analogshop.de](http://www.analogshop.de)).



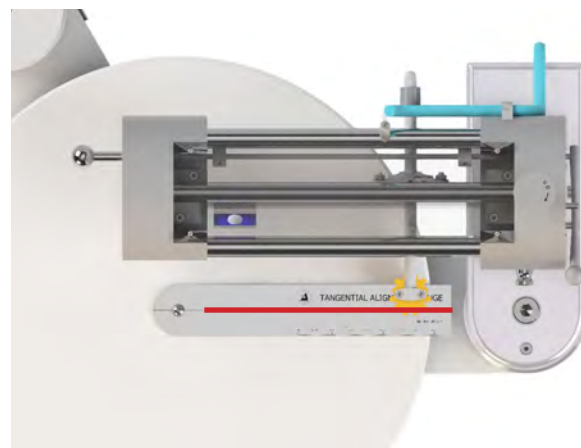
## 7. Fine adjustment of the tonearm

### 7.1 Tangential adjustment

Use the lift to lower the stylus at the left hand end of the **Clearaudio** linear gauge, moving the gauge so that the diamond sits exactly on the reference line (see Pic. 22, red line). Lift the cartridge up again and then position it at the right hand end of the gauge.



Pic. 22: Adjustment of the linear tracking



Pic. 22a: Adjustment of the linear tracking

#### **Important note:**

**To avoid any damage, never move the cartridge while it is lowered in the linear gauge.**

If the cartridge is not parallel to the reference line, rotate the tonearm base in the appropriate direction, fix it in place and recheck your result.

Repeat this process until the stylus exactly follows the reference line of the linear gauge. Finally, hand-tighten the screw/screws of the tonearm base to fix the final adjustment.

## 7.2 Adjustment of the VTA (tonearm height)

The **Clearaudio** linear gauge is suitable for adjusting the tonearm height, since it comes with same thickness as a record.

Place the **Clearaudio** linear gauge over the turntable spindle and align it so that it points towards the tonearm base.

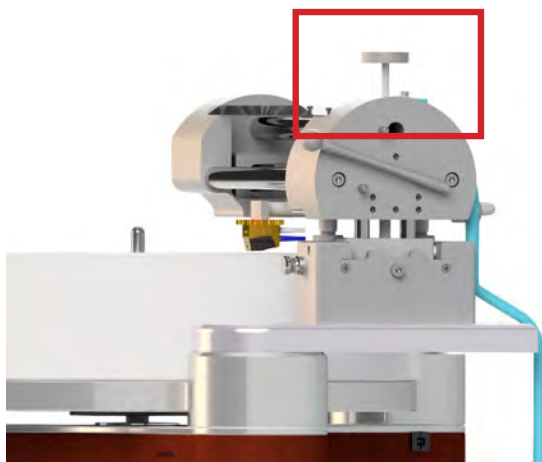


Check the tonearm height by placing the Mini Level Gauge (included) on the headshell.

Place the gauge centered on the top of the headshell of the raised cartridge (Pic. 23).

Pic. 23: Placing the Mini Level Gauge

If necessary, a correction can be made using the height adjustment screw (Pic. 24).

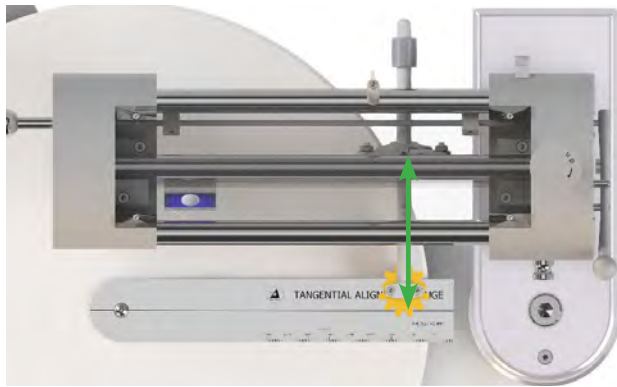


Pic. 24: Height adjustment



### 7.3 Adjustment of the azimuth (vertical position of the cartridge)

**Please be extremely careful during the following steps. Please always lift the cartridge away from the record surface.**



**Pic. 25:** Distance between headshell screw and diamond of the cartridge about 6.2cm / 62mm

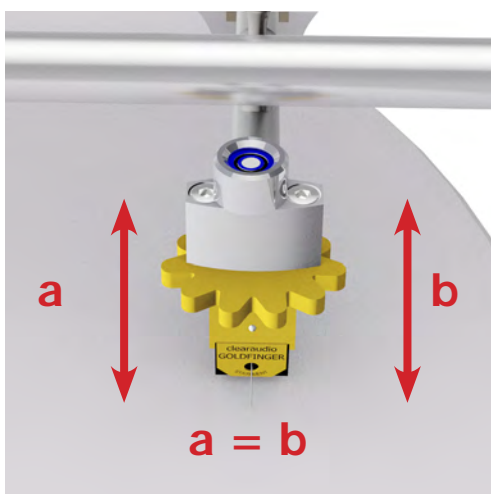
Adjust the approximate fore/aft position of the cartridge.

The optimal distance of the stylus to the middle of the headshell carriage is 62mm (see Pic. 25).

Use the Mini Level Gauge provided for the following azimuth setting.

Place the gauge centered on the top of the headshell (see Pic. 26) of the raised cartridge.

Lower the cartridge onto the platter and check the azimuth level with the bubble of the Mini Level Gauge. With the cartridge raised away from the record surface, slightly loosen the headshell tube locking screw and rotate the headshell in the appropriate direction to set the correct azimuth.



**Pic. 26:** Azimuth adjustment

When the adjustment is complete, re-tighten the headshell tube locking screw and remove the Mini Level Gauge from the headshell. Now you can set the correct tracking force of your cartridge according to the manufacturer's instructions. For the correct setting we recommend using the **Clearaudio** Weight Watcher digital touch cartridge scale (Art. No. AC163, also available at [www.analogshop.de](http://www.analogshop.de)).

For a perfect sound, we recommend checking the tracking force, azimuth and VTA settings again and correcting them if necessary.



**Pic. 27:** Supporter of the folding base

After completing all adjustments, please make sure that the signal cable forms a smooth loop upwards and that the supports (Pic. 27) of the folding base are screwed up so that the tonearm gently rests on them when in the horizontal position.

The **Clearaudio 772** tonearm is now fully adjusted and ready to play.

## 8. Troubleshooting

First check the possible causes to rule out incorrect operation if you have a problem with your TT2 tonearm.

Please contact your dealer if the error persists!

**Never try to open the unit and/or repair it yourself, this will void the warranty!**

Error	Cause	Measure
<b>Needle bounces or slides across record</b>	Is the record or the stylus dirty or damaged?	Clean the record / or the cartridge. <b>Clearaudio</b> offers many helpful accessories for care and cleaning. In the event of damage, we recommend an assessment by a specialist and, if necessary, an exchange.
	Has the tracking force been set too high/low?	Adjust the tracking force. Use only a suitable gauge! For example <b>Clearaudio</b> „Weight Watcher touch“ or „Smart Stylus Gauge“.
	Is the record deformed or scratched?	Use a record clamp or replace the record.
	Is the turntable leveled?	Check the alignment of the turntable and adjust if necessary.
<b>The tonearm carriage gets stuck</b>	Were all settings made correctly during assembly?	Check all settings and adjust them again if necessary.
	Is the glass tube dirty?	Use a cotton bud and a commercially available glass cleaner to clean the glass tube.  Put some glass cleaner on the cotton bud and slide it through the glass tube with a movement from the inlet to the outlet groove.
	Is the tonearm leveled?	Check the alignment of the tonearm and adjust if necessary.
	Is the turntable leveled?	Check the alignment of the turntable and adjust if necessary.
<b>Only for TT2 / TT3: Tonearm cannot be lowered onto the turntable platter</b>	Due to the security bold the tonearm cannot be lowered onto the turntable platter.	Pull the security bold of the folding base to release the tonearm.



## 9. Technical data

<b>Construction details:</b>	Tangential tonearm Mechanical and passive drive through dry-running ball bearing in an calibrated polished glass tube
<b>Material:</b>	Aluminium (black/silver), stainless steel, glass
<b>Cartridge balance range:</b>	5.5g - 15g
<b>Mounting style:</b>	On request
<b>Wiring:</b>	2m Super Sixstream terminated with RCA
<b>Weight:</b>	Approx. 2kg (without tonearm base); tonearm base only: approx. 245g
<b>Dimensions (W/D/H):</b>	Approx. 12 x 4.33 x 2.56 inches (without folding base; without height adjustment screw)
<b>Dimensions (W/D/H):</b>	Approx. 300 x 110 x 65mm (without folding base; without height adjustment screw)
<b>Manufacturer's warranty:</b>	5 years*

\* Provided that the warranty card is correctly completed and returned to **Clearaudio**, or your product is registered online at <https://clearaudio.de/en/service/registration.php>, within 14 days of purchase.

**Sehr verehrte clearaudio-Kundin, sehr geehrter clearaudio-Kunde,**

Wir gratulieren Ihnen! Sie haben sich für einen der besten Tonarme, den **clearaudio TT2** Tangentialtonarm entschieden. Ein erstklassiges, in aufwändiger Handarbeit gefertigtes Produkt der **clearaudio electronic GmbH**.

Mit dem **clearaudio TT2** Tangentialtonarm haben Sie die Möglichkeit, alle Fähigkeiten Ihrer HiFi-Anlage in Verbindung mit einem adäquaten Tonabnehmersystem voll auszuschöpfen!

Damit Sie die Wiedergabemöglichkeiten dieses einzigartigen Tangentialtonarms optimal nutzen können, lesen Sie bitte diese Aufbau- und Bedienungsanleitung aufmerksam durch.

Sämtliche Hinweise dienen dazu, Ihnen viele Jahre ungetrübten Musikgenuss zu bereiten und Fehlbedienungen zu verhindern.

Wir wünschen Ihnen viel Freude und Hörgenuss mit Ihrem neuen **clearaudio TT2** Tangentialtonarm.

**clearaudio electronic GmbH**



Loving music



## Sicherheitshinweise

### **1. Allgemeine Hinweise**

Überprüfen Sie den Tonarm vor der Inbetriebnahme auf vorhandene Schäden. Ist der Tonarm beschädigt, sollten Sie diesen nicht anschließen!

Schließen Sie den Tonarm niemals an, wenn er heruntergefallen oder nass geworden ist, kontaktieren Sie Ihren Händler, um den Tonarm überprüfen zu lassen.

Setzen Sie den Tonarm niemals Regen oder Feuchtigkeit aus.

Das Innere des Tonarms ist wartungsfrei, öffnen Sie niemals das Gehäuse oder versuchen Sie das Gerät selbst zu reparieren. Dies führt zu Garantieverlust!

Vor dem erstmaligen Benutzen oder nach längerem Stillstand muss der Lift ca. 4-5x betätigt werden, damit sich das Fett im Tonarmlift lösen kann und der Liftbügel wieder gleichmäßig abgesenkt wird.

Nicht für Kinder geeignet! Lieferumfang kann verschluckbare Kleinteile enthalten.

### **2. Bestimmungsgemäßer Gebrauch**

Der TT2 ist ein Tonarm zur Musikwiedergabe und zur ausschließlichen Verwendung auf Plattenspielern bestimmt.

Der bestimmungsgemäße Gebrauch des TT2 Tonarms ist die Verwendung in Übereinstimmung mit den in der Bedienungsanleitung bereitgestellten Informationen.

### **3. Aufstellungsort**

Vermeiden Sie Aufstellungsorte mit direkter Sonneneinstrahlung, Temperaturschwankungen sowie hohe Luftfeuchtigkeit. Ebenso sollten Sie Elektrogeräte nicht in der Nähe von Heizungen, Heizlampen oder anderen Geräten platzieren die Wärme Produzieren.

Das Gerät ist für den Betrieb in beheizten Räumen konzipiert.

Auf dem Gerät dürfen keine Gegenstände mit offener Flamme aufgestellt werden (brennende Kerzen o.Ä.).

### **4. Pflege**

Die Präzisionskugellager niemals ölen oder mit anderen Flüssigkeiten behandeln.

Die Muttern zur Befestigung der Präzisionskugellagern sowie die Schrauben zur Befestigung des Signalkabels sind ab Werk perfekt positioniert und bedürfen keiner Veränderung.

Zur Reinigung des Glasrohrs verwenden Sie bitte Wattestäbchen und einen handelsüblichen Glasreiniger. Geben Sie etwas Glasreiniger auf das Wattestäbchen und führen Sie dieses mit einer Bewegung von „Einlauf-“ zur „Auslauf-Rille“ (Tellerkante bis Plattentellermitte) durch das Glasrohr.

Verwenden Sie auf keinen Fall aggressives Reinigungsmittel.

Verwenden Sie zum Reinigen keine trockenen Tücher, da dies elektrostatische Aufladung erzeugt. Geeignete Reinigungs- und Pflegemittel von **clearaudio** sind über [www.analogshop.de](http://www.analogshop.de) oder über den Fachhandel erhältlich.

Verwenden Sie zur Reinigung nur ein weiches Tuch mit glatter Oberfläche bzw. einen weichen Pinsel.

### 5. Gesundheitshinweise

Dauerhaft hohe Lautstärke kann zu diversen Schädigungen des Gehörs führen. Gehen Sie verantwortungsbewusst mit hohen Lautstärken um!

### 6. Service

Der *TT2* darf während der Garantiezeit nur vom Hersteller repariert werden, ansonsten erlischt der Garantieanspruch. Der Service für alle **clearaudio** Produkte sollte ausschließlich beim Fachhändler erfolgen.

Sollte trotz des hohen Fertigungsstandards ein Service erforderlich werden, muss die **clearaudio TT2** über Ihren Fachhandel an **clearaudio** eingeschickt werden.

### 7. Transport

Beim Transport des **clearaudio TT2** Tonarms ist stets die Originalverpackung zu verwenden. Achten Sie darauf, das Gerät genauso zu verpacken, wie es ausgeliefert wurde.

Nur in originalverpacktem Zustand ist ein sicherer Transport gewährleistet.

**Damit der Tonarmschlitten während eines Transports nicht unkontrolliert hin- und herschlägt, fixieren Sie diesen bitte z.B. mit einem Stück Schaumstoff. Zum Versand des Tonarmes verwenden Sie bitte nur die Originalverpackung. Verfahren Sie zum Verpacken und Demontieren des Tonarmes in umgekehrter Reihenfolge.**

### 8. Entsorgung



Dieses Produkt darf nicht zusammen mit Restmüll entsorgt werden.  
WEEE Reg.Nr.: DE26004446

### 9. CE-Markierung



Dieses Elektronikprodukt entspricht den gültigen Richtlinien zur Erlangung des CE-Zeichens.



## Inhaltsverzeichnis

<b>1. Lieferumfang .....</b>	<b>24 - 25</b>
<b>2. Befestigung der Tonarmbasis und Klappbasis .....</b>	<b>26 - 28</b>
2.1 auf Performance DC / Ovation	
2.2 auf Innovation series Laufwerk	
2.3 Laufwerk eines Fremdherstellers	
<b>3. Aufsetzen des TT2 Tonarms .....</b>	<b>29 - 30</b>
<b>4. Einsetzen des Headshell-Rohrs .....</b>	<b>30 - 31</b>
<b>5. Montage des Tonabnehmers .....</b>	<b>31</b>
<b>6. Voreinstellung der Auflagekraft .....</b>	<b>32</b>
<b>7. Feinjustage des Tonarmes.....</b>	<b>33 - 35</b>
7.1 Einstellung der Tangentialen	
7.2 Einstellung des VTA	
7.3 Einstellung des Azimuth	
<b>8. Fehlerbehebung.....</b>	<b>36</b>
<b>9. Technische Daten .....</b>	<b>37</b>
<b>Garantieinformationen.....</b>	<b>38 - 39</b>

## 1. Lieferumfang

Der **clearaudio TT2** Tangentialtonarm verlässt unsere Fertigung in einer besonders sicheren und dem Tonarm angepassten Verpackung, die einen sicheren Transport garantiert. Bitte bewahren Sie diese Verpackung für den Fall eines Transports auf.

### Bitte beachten:

Kontrollieren Sie den Lieferumfang Ihres neu erworbenen **clearaudio TT2** Tangentialtonarms. Achten Sie vor der Entnahme des **clearaudio TT2** Tonarms aus seiner Verpackung auf das empfindliche Signalkabel des Tonarms, dass Sie mit größtmöglicher Vorsicht behandeln sollten.

**Wichtig: alle Gewinde sind Rechtsgewinde (metrisch)!**

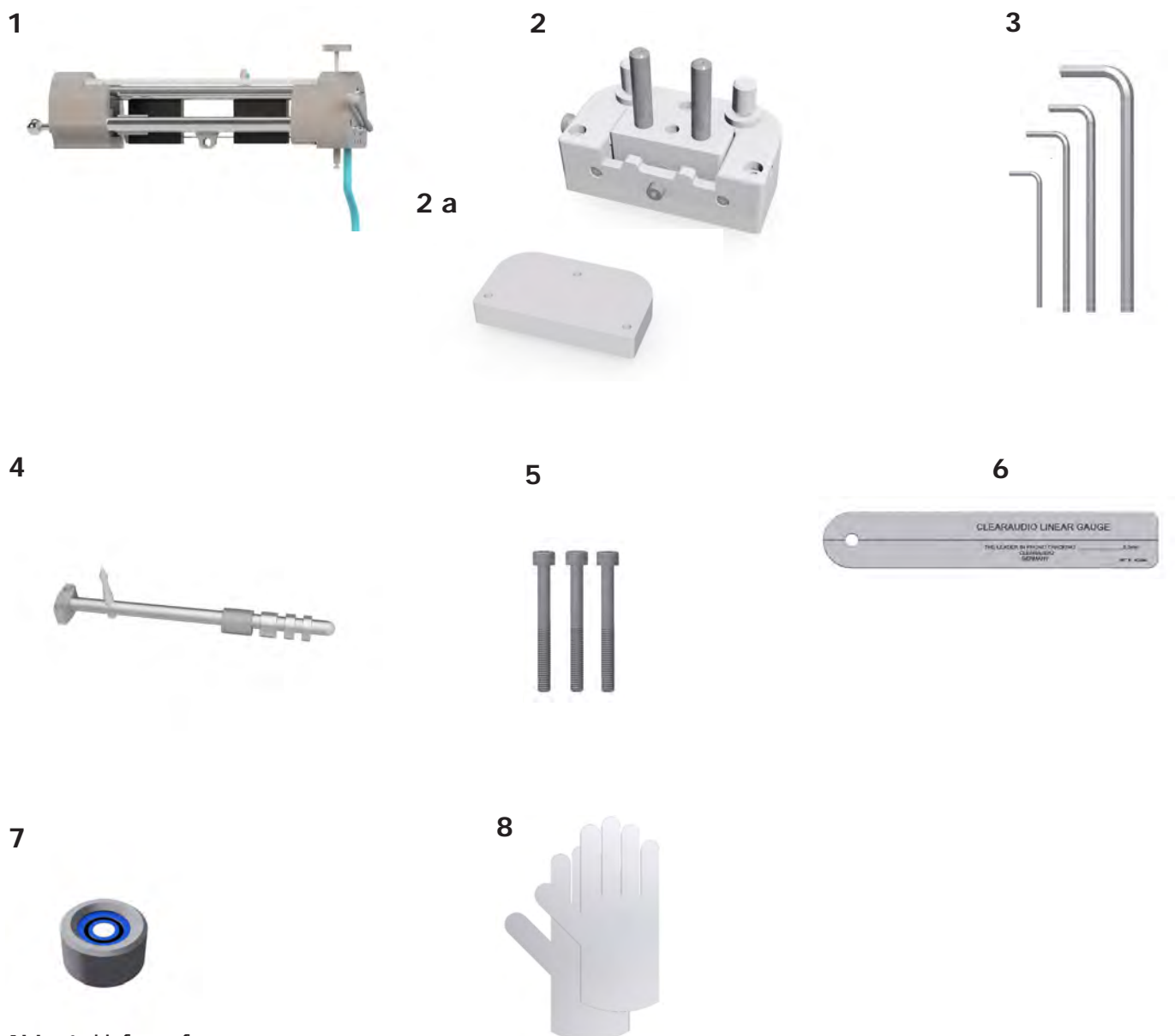


Abb. 1: Lieferumfang

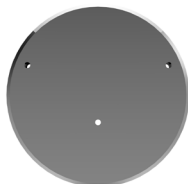




1.	Tonarm <i>TT2</i> mit vormontiertem Tonarmschlitten	6.	<b>Clearaudio</b> linear gauge (Einstellschablone zur Justage der tangentialen Abtastung)
2.	Aluminium-Klappbasis zur Aufnahme des Tonarmes mit vormontiertem Höhen-Zwischenstück (10 mm) und Schrauben M4 x 40;	7.	<b>Clearaudio</b> Mini Level Gauge
2. a	Zusätzliches Höhen-Zwischenstück (14,5 mm)		
3.	1x Innensechskantsschlüssel (# 1,5) 1x Innensechskantsschlüssel (# 2) 1x Innensechskantsschlüssel (# 2,5) 1x Innensechskantsschlüssel (# 3)	8.	1 Paar weiße Handschuhe
4.	Präzisionsgefertigtes Carbon-Headshell-Rohr mit Edelstahl-Headshell <u>Inkl. 4 Stk. Gegengewichte:</u> 2,3 g ; 2,6 g ; 4,3 g ; 8,0 g ; 17,6 g für Goldfinger Statement (Zur Transportsicherheit am Headshell-Rohr montiert), ohne Tonabnehmer	9.	Keine Abbildung: Garantiekarte; Bedienungsanleitung, <b>clearaudio</b> Quality Certificate und Rücklieferschein
5.	<u>Schrauben für die Klappbasis:</u> - 3 x Zylinderkopfschraube M4 x 30 (Für eine Montage ohne Höhen-Zwischenstück)  <u>Schrauben für Tonabnehmer (keine Abb.):</u> - 2 x M2,5 x 12 - 2 x M2,5 x 14		

## 2. Befestigung der Tonarmbasis und Klappbasis

### 2.1 Befestigung der Tonarmbasis und Klappbasis auf einem clearaudio Performance DC / Ovation Laufwerk



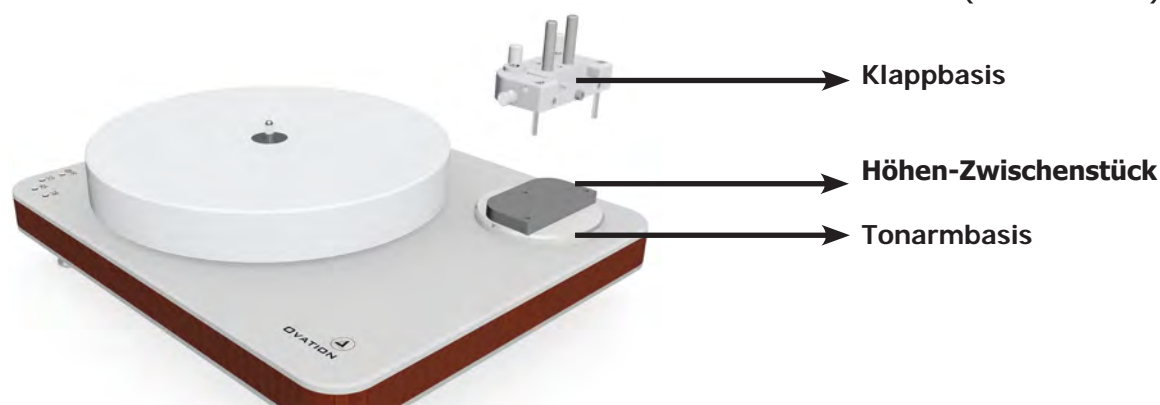
Überprüfen Sie zunächst, ob die korrekte Tonarmbasis zur Montage des 772 Tonarmes auf Ihrem Laufwerk befestigt ist (Abb. 2). Ist dies nicht der Fall, stellen Sie das Laufwerk über die Ecke eines Tisches o. Ä., damit die Tonarmbasis von unten frei zugänglich ist. Nehmen Sie die vorherige Tonarmbasis ab, indem Sie mithilfe eines Innensechskantschlüssels die sechs M4 x 35 Schrauben auf der Unterseite des Klemmrings lösen.

**Abb. 2:** Tonarmbasis für Performance DC & Ovation (Art. Nr. AC031-3)

Tauschen Sie die Tonarmbasis gegen die korrekte Basis (sh. Abb. 2) und schrauben Sie diese wieder locker im Gewinde fest, damit die Tonarmbasis sich weiterhin zur Feinjustage drehen lässt. Nun befestigen Sie die Klappbasis und das dazugehörige Höhen-Zwischenstück mit den drei mitgelieferten Innensechskantschrauben (Abb. 1, # 5; Seite 21) und mithilfe des passenden Innensechskantschlüssels # 3 (Abb. 1, # 3; Seite 21) auf dem Laufwerk-Chassis. Achten Sie auf passgenauen Sitz und planebene Montageflächen.

Zur Montage der Höhen-Zwischenstücke mit 14,5 mm und 10 mm benötigen Sie die Zylinderkopfschrauben M4x40 (Abb. 1, Nr. 2; Seite 21), welche im Auslieferungszustand bereits vormontiert sind. Bei einer Montage der Klappbasis ohne Höhen-Zwischenstücke verwenden Sie die Zylinderkopfschrauben M4x30 (Abb. 1, #5).

Die Verwendung des benötigten Höhen-Zwischenstück ist abhängig von den Abmessungen des Laufwerks und Tonabnehmers. Gerne beraten Sie unsere Fachhändler vor Ort oder Sie wenden sich direkt an **clearaudio**. Bitte ziehen Sie alle drei Schrauben fest an (siehe Abb. 4).



**Abb. 3:** Befestigen der Klappbasis



**Abb. 4:** Anziehen der Schrauben

## 2.2 Befestigung der Tonarmbasis und Klappbasis auf einem clearaudio Innovation series Laufwerk



**Abb. 5:** Tonarmbasis für Innovation Serie (Art. Nr. AC030-7)

Überprüfen Sie zunächst, ob die korrekte Tonarmbasis zur Montage des 772 Tonarmes auf Ihrem Laufwerk befestigt ist (Abb. 5). Ist die Tonarmbasis bereits vormontiert, befindet sie sich in einer für die Verpackung optimierten Position, welche zur Einstellung des Tonarmes korrekt ausgerichtet wird.

Sollte eine falsche Tonarmbasis montiert sein, nehmen Sie diese ab, indem Sie mithilfe eines Innensechskantschlüssels # 7 die Schraube der Aluminiumrundbasis lösen.

Tauschen Sie die Tonarmbasis gegen die korrekte Basis (sh. Abb. 5) und richten Sie diese so aus, damit die lange Seite der

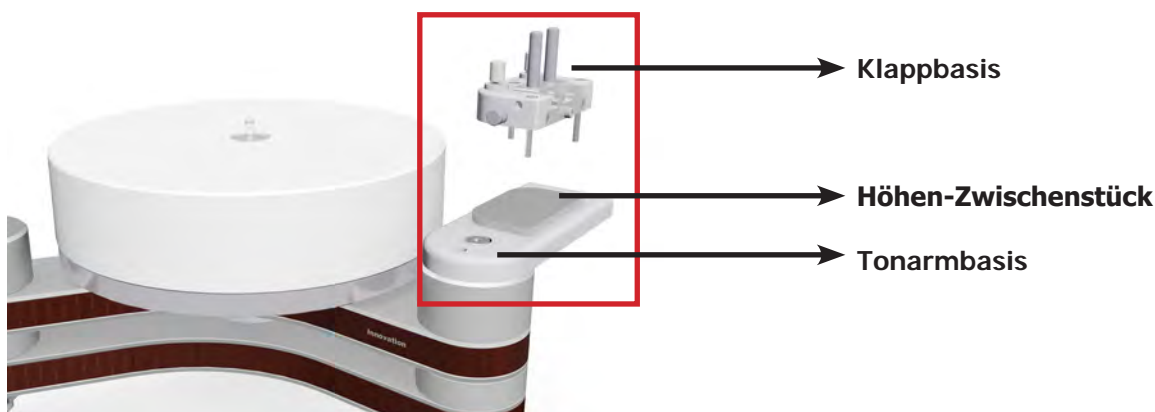
Tonarmbasis gegen Uhrzeigersinn zeigt. Schrauben Sie die Tonarmbasis wieder locker im Gewinde fest, damit diese sich weiterhin zur Feinjustage drehen lässt.

Nun befestigen Sie die Klappbasis und das dazugehörige Höhen-Zwischenstück mit den drei mitgelieferten Innensechskantschrauben (Abb. 1, # 5; Seite 21) und mithilfe des passenden Innensechskantschlüssels # 3 (Abb. 1, #3; Seite 21) auf Ihrem Laufwerk.

Achten Sie auf passgenauen Sitz und planebene Montageflächen.

Zur Montage der Höhen-Zwischenstücke mit 14,5 mm und 10 mm benötigen Sie die Zylinderkopfschrauben M4x40 (Abb. 1, # 2; Seite 21), welche im Auslieferungszustand bereits vormontiert sind. Bei einer Montage der Klappbasis ohne Höhen-Zwischenstücke verwenden Sie die Zylinderkopfschrauben M4x30 (Abb. 1, #5; Seite 21).

Die Verwendung des benötigten Höhen-Zwischenstück ist abhängig von den Abmessungen des Laufwerks und Tonabnehmers. Gerne beraten Sie unsere Fachhändler vor Ort oder Sie wenden sich direkt an **clearaudio**. Bitte ziehen Sie alle drei Schrauben fest an (siehe Abb. 7).



**Abb. 6:** Befestigen der Klappbasis



**Abb. 7:** Anziehen der Schrauben

### 2.3 Montage der Klappbasis auf einem Laufwerk anderer Hersteller:

Um die Klappbasis auf dem Laufwerkchassis anbringen zu können, müssen erst die Bohrungen zur Befestigung der Tonarmbasis angebracht werden. Die Maße zum Anzeichnen der exakten Bohrlochabstände entnehmen Sie bitte der unten abgebildeten Bohrschablone (siehe Abb. 8). Verwenden Sie für die Bohrungen einen 3,3 mm HSS-Spiralbohrer. Anschließend schneiden Sie in die Bohrungen mit einem Gewindeschneider jeweils M4-Gewinde. Ist das Material des Laufwerkchassis nicht dazu geeignet, es mit Gewinden zu versehen, verwenden Sie bitte einen 4,5 mm HSS-Spiralbohrer, um die Bohrungen durch das Material zu setzen. In diesem Fall können Sie die Tonarmbasis mit handelsüblichen Schrauben in der entsprechenden Länge und den dazu passenden Muttern befestigen (V2A – Innensechskant).

Bitte beachten Sie, dass diese Abbildung nicht maßstabsgetreu ist.

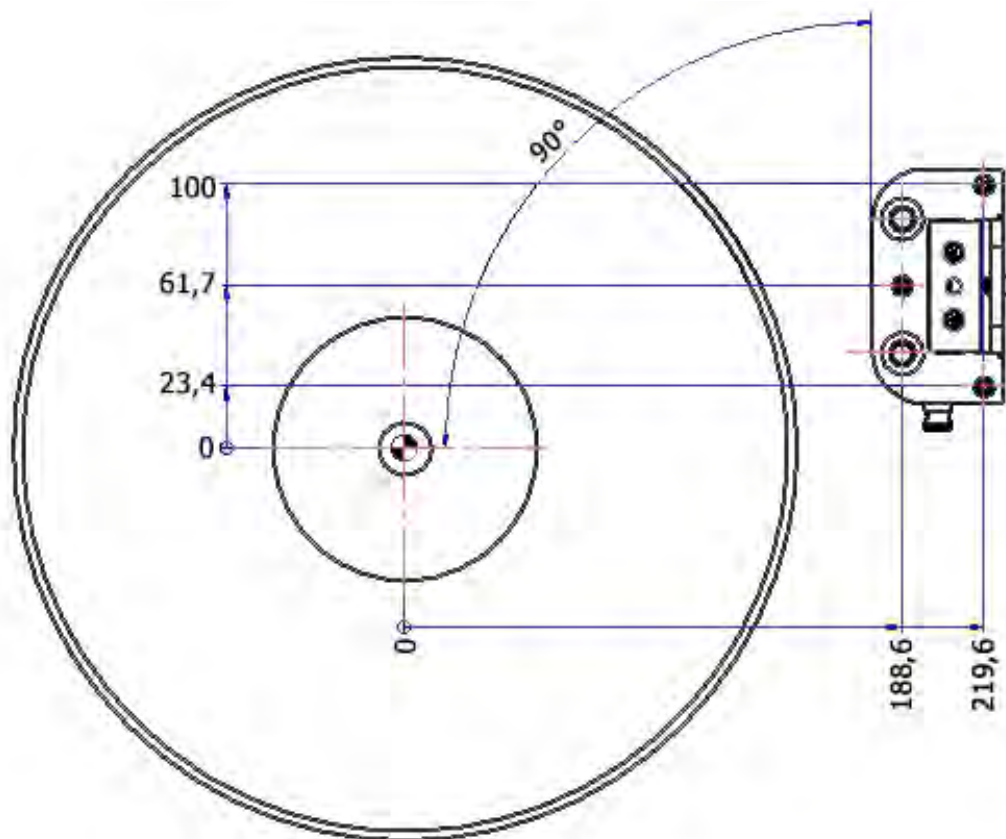
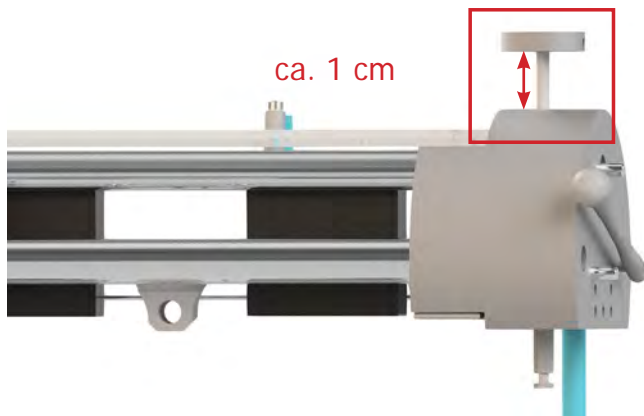


Abb. 8: Bohrschablone

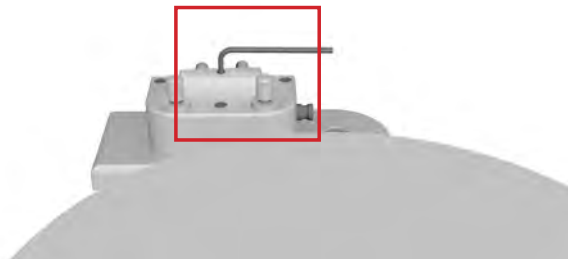
### 3. Aufsetzen des *TT2* Tonarms



**Abb. 9:** Festschrauben der Höhenverstelleinheit

Bitte entfernen Sie zuerst den Schaumstoff, der als Transportsicherung für den Tonarmschlitten angebracht wurde.

Drehen Sie die Stellschraube zur Höhenjustage im Uhrzeigersinn, bis zwischen Schraubenkopf und Tonarm-Gehäuse ein Abstand von ca. 1 cm entsteht.



**Abb. 10:** Lösen der Schraube

Entnehmen Sie die Schraube zur Fixierung der Höheneinstellung, indem Sie diese mit einem Innensechskantschlüssel # 2,5 lösen (Abb. 10).



**Abb. 11:** Aufsetzen des Tonarms

Nun schieben Sie den Tonarm horizontal auf die Trägerstäbe der Klappbasis bis die Nut der Gewindestange im Loch der zuvor entfernten Schraube sichtbar wird (Abb. 11).



**Abb. 12:** Sichern des Tonarmes

Sichern Sie diese Einstellung indem Sie die Schraube wieder einsetzen und handfest anziehen (Abb. 12).



Abb. 13: Einstellung des Neigungswinkel

Die waagerechte Ausrichtung des Tonarmes können Sie durch die Schraube, siehe Abbildung 13 und einem Innensechskantschlüssel Größe 2 korrigieren.

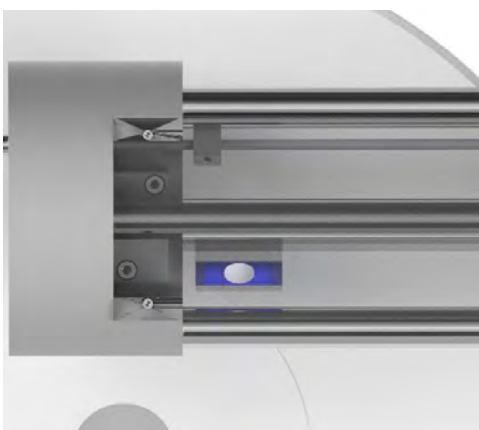


Abb. 14: Wasserwaage

Die korrekte Ausrichtung ist erreicht, wenn die Blase der Wasserwaage exakt zwischen den Markierungen ist (Abb. 14).

#### 4. Einsetzen des Headshell-Rohrs

Bitte entfernen Sie für den nächsten Schritt alle Gegengewichte von ihrem Headshell-Rohr.

Schieben Sie den Tonarmschlitten in Richtung Tonarmbasis.

Durch das kleine Loch in der Abdeckplatte, öffnen Sie mit einem Innensechskantschlüssel #1,5 die Befestigungsschraube der Headshell-Rohr-Aufnahme am Tonarmschlitten.

Um mit dem Positionsstift die obere Tonarmstange zu passieren, müssen Sie das Headshell-Rohr drehen, damit der Positionsstift zur Seite zeigt. Danach drehen Sie das Headshell-Rohr wieder in die Ausgangsposition zurück (siehe Abb. 15 - 18).

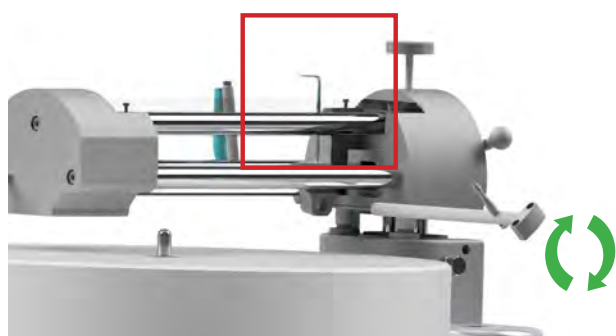


Abb. 15: Einsetzen des Headshells-Rohrs

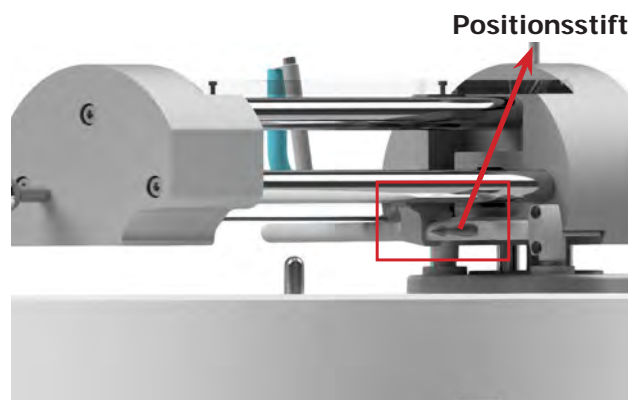


Abb. 16: Drehen des Headshell-Rohrs



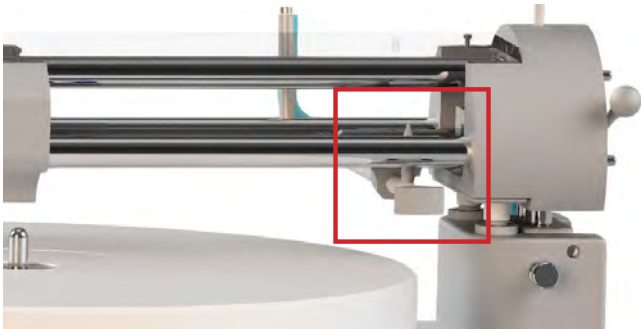


Abb. 17: Position nach Einsetzen des Headshell-Rohrs

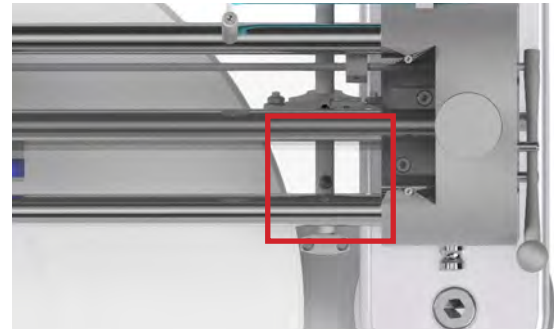


Abb. 18: Korrekte Position des Tonarms

Um das Headshell-Rohr zu befestigen, schieben Sie den Tonarmschlitten zurück in Richtung der Tonarmbasis.

Durch die kleine Öffnung in der Abdeckplatte können Sie mit dem Innensechskantschlüssel # 1,5 das Headshell-Rohr leicht festschrauben (siehe Abb. 19).

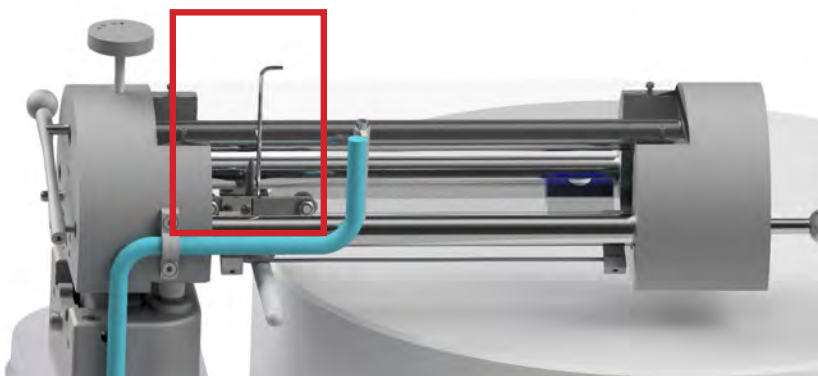


Abb. 19: Befestigen des Headshells (Rückansicht)

## 5. Montage des Tonabnehmers

Die nachfolgenden Einstellungen des Tonarmes erfordern die Montage des Tonabnehmersystems auf dem Headshell. Befolgen Sie hierzu die Anweisungen des Tonabnehmer-Herstellers. Verwenden Sie zur Justage des Tonabnehmers am Headshell die im Lieferumfang enthaltenen Schrauben.

**Belassen Sie den Nadelschutz auf Ihrem Tonabnehmersystem!**

**Bitte beachten:**

Dieser Tonarm ist für Tonabnehmer ab 7 g Eigengewicht geeignet!

Sollte Ihr Tonabnehmer leichter sein, benutzen Sie bitte zusätzlich ein Gewicht (Headshellplättchen). (erhältlich über Ihren Fachhändler oder über **clearaudio**: [info@clearaudio.de](mailto:info@clearaudio.de))

Verbinden Sie anschließend das jeweilige Signalkabel mit den farblichen passenden Pins des Tonabnehmersystems. Beachten Sie dabei folgende Farbcodierung:

**Rot:** rechter Kanal / R+  
**Grün:** rechter Kanal / R-  
**Weiß:** linker Kanal / L+  
**Blau:** linker Kanal / L-

## 6. Voreinstellung der Auflagekraft

**Um die Einstellung vorzunehmen entfernen Sie nun den Nadelschutz.  
Behandeln Sie das System bitte mit Sorgfalt, um dieses nicht zu beschädigen.**

Durch Ziehen der Sicherung auf der Vorderseite der Klappbasis lösen Sie den Tonarm aus seiner Fixierung, damit Sie diesen in Richtung des Plattenteller abesenken können. Verwenden Sie eines der mitgelieferten Gewichte, um die Auflagekraft grob einzustellen, indem Sie das Gegengewicht auf die Rückseite des Headshell-Rohrs aufschieben (Abb. 20).

Die Wahl des Gegengewichtes ist abhängig vom Eigengewicht des Tonabnehmers.

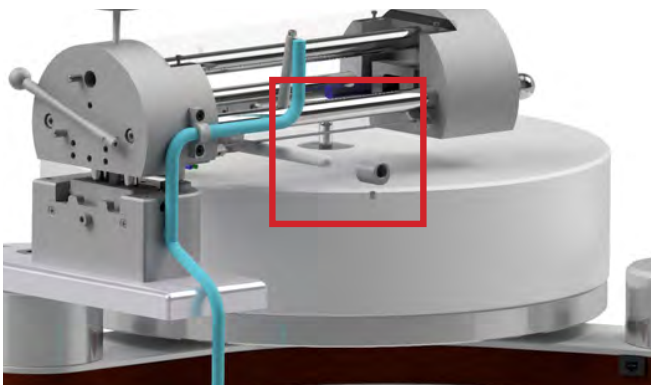


Abb. 20: Aufsetzen der Gegengewichte

**Bitte stellen Sie nur grob die Auflagekraft des Tonabnehmers ein.  
Die korrekte Einstellung erfolgt am Ende der Tonarmeinstellungen.**

Benutzen Sie zum Festziehen der Gewichte den Innensechskantschlüssel # 1,5. Für das Festziehen der Schrauben empfehlen wir den Tonarm durch Hochklappen wieder vertikal auszurichten (siehe Abb. 21).



Abb. 21: Befestigen der Gegengewichte

Zur Überprüfung der Auflagekraft empfehlen wir die digitale Tonabnehmerwaage „Weight Watcher touch“ von **clearaudio** (Art.: AC163; auch erhältlich über [www.analogshop.de](http://www.analogshop.de)).



## 7. Feinjustage des Tonarmes

### 7.1 Einstellung der Tangentialen (Abtastwinkel)

Senken Sie mit dem Lift die Nadel „in Höhe der Auslaufrille“ (nahe der Plattenmitte) auf die **clearaudio** linear gauge und bewegen Sie diese vorsichtig soweit, bis die Nadelspitze exakt auf der Referenzlinie (siehe Abb. 22 „rote Linie“) sitzt.

Heben Sie den Tonabnehmer wieder an und führen ihn „auf die Höhe der Einlaufrille“ (Abb. 22a). Dort senken Sie ihn erneut ab.

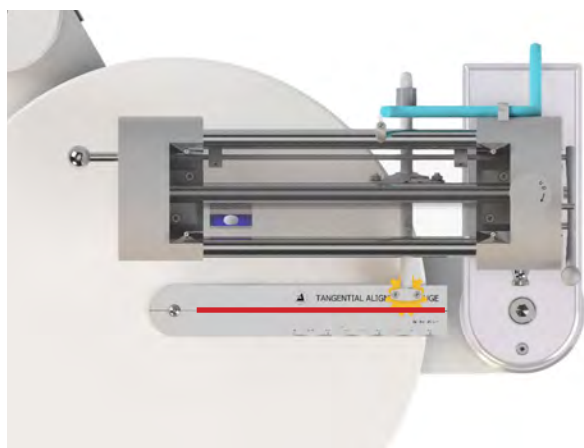


Abb. 22: Einstellung der Tangentialen

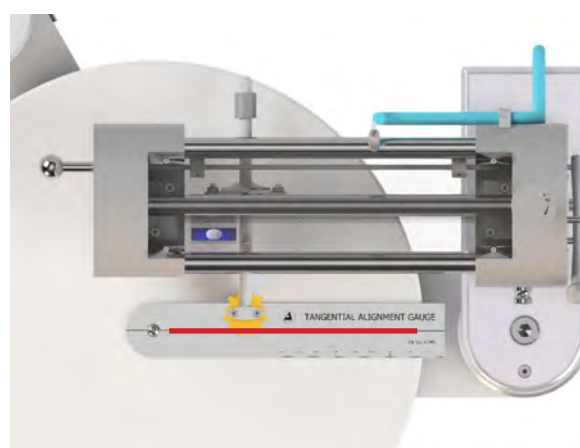


Abb. 22a: Einstellung der Tangentialen

**Bewegen Sie niemals den Tonabnehmer in der Justageschablone während dieser abgesenkt ist.**

Bei fehlender Parallelität der Nadel zur Referenzlinie, drehen Sie die Tonarmbasis in die entsprechende Richtung, fixieren Sie diese leicht und überprüfen Sie Ihr Ergebnis erneut.

Wiederholen Sie diesen Vorgang bis die Nadelspitze perfekt in allen Positionen in der Referenzlinie der Einstellschablone sitzt.

Ziehen Sie abschließend die Schraube/Schrauben der Tonarmbasis handfest an, um Ihr Ergebnis zu fixieren.

### 7.2 Einstellung des VTA (Tonarmhöhe)

Die **clearaudio** linear gauge eignet sich zum Einstellen der Tonarmhöhe, da sie die der Stärke einer Schallplatte entspricht.

Platzieren Sie die **clearaudio** linear gauge durch das vorhandene Loch auf dem Dorn des Plattenspielers und richten Sie diese so aus, dass diese in Richtung Tonarmbasis zeigt.

Kontrollieren Sie durch Auflegen der Mini Level Gauge auf das Headshell des Tonabnehmers die Tonarmhöhe.



Setzen Sie diese vorsichtig(!) mittig auf die Oberseite des Headshells des angehobenem Tonabnehmers auf.

Abb. 23: Platzierung Mini Level Gauge

Eine Korrektur der Höhe erfolgt bei Bedarf mithilfe der Stellschraube zur Höhenverstellung. (Abb. 24)

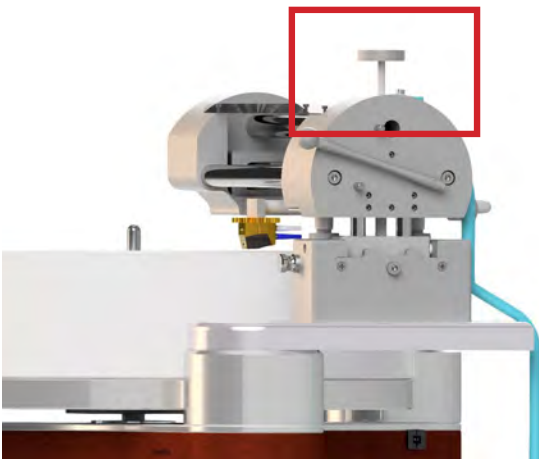
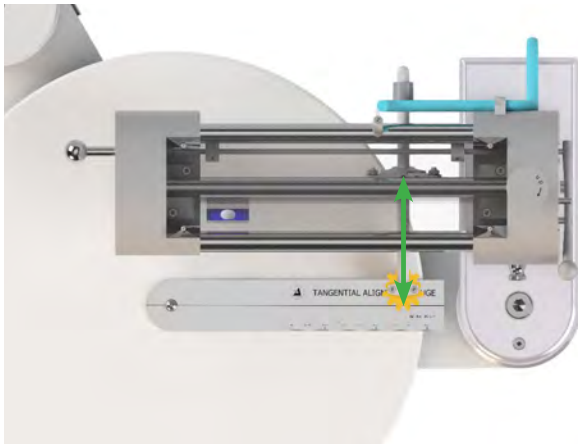


Abb. 24: Höhenverstellung

### 7.3 Einstellung des Azimuth (Vertikale Position des Tonabnehmer)

**Bitte gehen Sie in dem folgenden Schritt äußerst vorsichtig vor!  
Bitte Tonabnehmersystem nach oben liften!**

Stellen Sie die Grundposition des Tonabnehmers ein. Das optimale Maß von Nadelspitze bis zur Mitte des Tonarmschlittens beträgt 62 mm (Abb. 25).

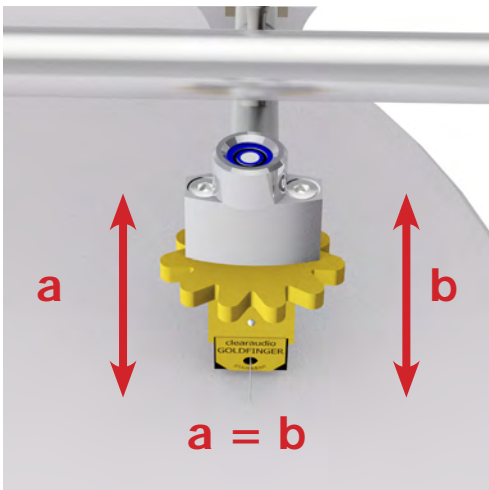


**Abb. 25:** Abstand zwischen Headshell-Schraube und Diamanten des Tonabnehmers ca. 62 mm

Zur folgenden Azimuth-Einstellung (Senkrechtstellung der Nadel in der Rille), verwenden Sie die im Lieferumfang enthaltene Mini Level Gauge.

Setzen Sie diese vorsichtig(!) mittig auf die Oberseite des Headshells des angehobenem Tonabnehmers (Abb. 26) auf.

Senken Sie den Tonabnehmer auf die Platte ab und prüfen Sie die Parallelität anhand des Luftbläschens der Mini Level Gauge. Justieren Sie bei angehobenem Tonabnehmer das Headshell in die entsprechende Richtung, um die gewünschte parallele Ausrichtung zu erhalten. Eventuell ist es hierzu nötig, die Sicherungsschraube für das Headshell-Rohr am Wägelchen zu lockern.



**Abb. 26:** Azimuth-Einstellung

Diese bitte nach Abschluss der Einstellung wieder anziehen und die Mini Level Gauge vom Headshell entfernen.

Stellen Sie die korrekte Auflagekraft Ihres Tonabnehmers laut der Herstelleranleitung ein.

Zur korrekten Einstellung empfehlen wir die digitale Tonabnehmerwaage „Weight Watcher touch“ von **clearaudio** (Art.: AC163; auch erhältlich über: [www.analogshop.de](http://www.analogshop.de)).



**Abb. 27:** Supporter an der Klappbasis

Für einen perfekten Klang empfehlen wir, Auflagekraft, Azimuth - und VTA-Einstellung zu überprüfen und gegebenenfalls zu korrigieren.

Nach Abschluss aller Einstellungen achten Sie bitte darauf, dass das Signalkabel eine gleichmäßige Schlaufe nach oben bildet und die Supporter (Abb. 27) der Klappbasis hoch geschraubt werden, damit der Tonarm leichten Kontakt hat.

Der **clearaudio 772** Tonarm ist nun komplett justiert und spielbereit.

## 8. Fehlerbehebung

Sollten Sie ein Problem mit Ihrem TT2 Tonarm haben, überprüfen Sie zuerst mögliche Ursachen, um eine Fehlbedienung auszuschließen.

Sollte der Fehler weiterhin bestehen, wenden Sie sich bitte an Ihren Händler!

**Versuchen Sie niemals das Produkt zu öffnen und/oder selbst zu reparieren, dies führt zu Garantieverlust!**

Fehler	Ursache	Maßnahme
<b>Nadel hüpfet oder rutscht über die Platte</b>	Ist die Schallplatte oder der Nadelträger verschmutzt oder beschädigt?	Reinigen Sie die Schallplatte / bzw. den Tonabnehmer. <b>Clearaudio</b> bietet viele hilfreiche Zubehörprodukte zur Pflege und Reinigung an. Bei Beschädigung empfehlen wir eine Begutachtung durch einen Spezialisten und ggfs. einen Austausch.
	Ist eine zu hohe/niedrige Auflagekraft eingestellt?	Kontrollieren und justieren Sie die Auflagekraft nach wenn nötig. Verwenden Sie hierfür nur geeignetes Messmittel, z.B. <b>clearaudios</b> „Weight Watcher touch“ oder „Smart Stylus Gauge“.
	Ist die Platte verformt oder verkrazt?	Verwenden Sie eine Plattenklemme oder ersetzen Sie die Schallplatte.
	Ist der Plattenspieler in Waage?	Überprüfen Sie die Ausrichtung des Plattenspielers und justieren Sie diese, wenn nötig nach.
<b>Wägelchen bleibt hängen</b>	Wurden alle Einstellungen während der Montage korrekt vorgenommen?	Überprüfen Sie alle Einstellungen und justieren diese, wenn nötig nach.
	Ist das Glasrohr verschmutzt?	Verwenden Sie Wattestäbchen und einen handelsüblichen Glasreiniger zur Reinigung des Glasrohrs. Geben Sie etwas Glasreiniger auf das Wattestäbchen und führen Sie dieses mit einer Bewegung von „Einlauf-“ zur „Auslauf-Rille“ (Tellerkante bis Plattentellermitte) durch das Glasrohr.
	Ist der Tonarm in Waage?	Überprüfen Sie die Ausrichtung des Tonarms und justieren Sie diese wenn nötig nach.
	Ist der Plattenspieler in Waage?	Überprüfen Sie die Ausrichtung des Plattenspielers und justieren Sie diese, wenn nötig nach.
<b>Nur bei TT2 / TT3: Tonarm lässt sich nicht herunterklappen</b>	Der Tonarm lässt sich nicht herunterklappen, da er in geöffneter Position von einer Sicherung gehalten wird.	Ziehen Sie Sicherungsstift um den Tonarm herunterzuklappen.



## 9. Technische Daten

<b>Konstruktionsprinzip:</b>	Tangential-Tonarm Rein mechanischer und passiver Antrieb durch trocken laufende Kugellager in einem kalibrierten und poliertem Glasrohr
<b>Material:</b>	Aluminium (schwarz/silber), Edelstahl, Glas
<b>Justierbare Tonabnehmer:</b>	5,5 g - 15 g
<b>Tonarmaufnahmebohrung:</b>	Auf Anfrage
<b>Signalkabel:</b>	2 m Super Sixstream konfektioniert mit Cinch
<b>Gewicht:</b>	ca. 2 kg (ohne Tonarmbasis); Tonarmbasis extra: ca. 245 g
<b>Abmessungen (B/T/H):</b>	ca. 300 x 110 x 65 mm (ohne Klappbasis; ohne Höhenverstellungsschraube)
<b>Herstellergarantie:</b>	5 Jahre*

\* Nur bei korrekt ausgefüllter und eingesandter Garantiekarte an **clearaudio** oder online registrierter Garantie innerhalb von 14 Tagen (<https://clearaudio.de/de/service/registration.php>).

## User manual / Bedienungsanleitung

The full, extended warranty period for the *TT2* tangential tonearm is 5 years.

To receive this full **Clearaudio** warranty, you must either complete and return the relevant section of the warranty registration card to **Clearaudio**, or register your product online at <https://clearaudio.de/en/service/registration.php>, within 14 days of purchase. Otherwise only the legal warranty of 1 years can be considered.

The full 5 year warranty can only be honoured, if the product is returned in its original packing.

Um für den *TT2* Tangential Tonarm die volle **clearaudio** Garantie von fünf (5) Jahren in Anspruch nehmen zu können, senden Sie uns bitte die beigelegte Garantiekarte innerhalb von zwei Wochen korrekt und vollständig ausgefüllt zu oder registrieren Sie das Produkt online unter <https://clearaudio.de/de/service/registration.php>, da sonst nur die gesetzliche Gewährleistung von einem (1) Jahr berücksichtigt werden kann.

Nur, wenn das Produkt in der Originalverpackung zurückgeschickt wurde, kann **clearaudio** die volle Garantiezeit gewährleisten.

### ENGLISH WARRANTY

For warranty information, contact your local **Clearaudio** distributor.

#### **RETAIN YOUR PURCHASE RECEIPT**

Your purchase receipt is your permanent record of a valuable purchase. It should be kept in a safe place to be referred to as necessary for insurance purposes or when corresponding with **Clearaudio**.

#### **IMPORTANT**

When seeking warranty service, it is the responsibility of the consumer to establish proof and date of purchase.

Your purchase receipt or invoice is adequate for such proof.

FOR U.K. ONLY

This undertaking is in addition to a consumer's statutory rights and does not affect those rights in any way.

### FRANÇAIS GARANTIE

Pour des informations sur la garantie, contacter le distributeur local **Clearaudio**.

#### **CONSERVER L'ATTESTATION D'ACHAT**

L'attestation d'achat est la preuve permanente d'un achat de valeur. La conserver en lieu sûr pour s'y reporter aux fins d'obtention d'une couverture d'assurance ou dans le cadre de correspondances avec **Clearaudio**.

#### **IMPORTANT**

Pour l'obtention d'un service couvert par la garantie, il incombe au client d'établir la preuve de l'achat et d'en corroborer la date. Le reçu ou la facture constituent des preuves suffisantes.

### DEUTSCH GARANTIE

Bei Garantiefragen wenden Sie sich bitte zunächst an Ihren **Clearaudio** Händler. Heben Sie Ihren Kaufbeleg gut auf.

WICHTIG!

Die Angaben auf Ihrer Quittung erlauben uns die Identifizierung Ihres Gerätes und belegen mit dem Kaufdatum die Dauer Ihrer Garantie-Ansprüche. Für Serviceleistungen benötigen wir stets die Gerätenummer. Diese finden Sie auf dem Typenschild auf der Rückseite des Gerätes oder auch in der beigelegten Garantie-Registrierkarte.

### NEDERLANDS GARANTIE

Voor inlichtingen omtrent garantie dient u zich tot uw plaatselijke **Clearaudio**.

#### **UW KWITANTIE, KASSABON E.D. BEWAREN**

Uw kwitantie, kassabon e.d. vormen uw bewijs van aankoop van een waardevol artikel en dienen op een veilige plaats bewaard te worden voor evt, verwijzing bijv, in verband met verzekering of bij correspondentie met **Clearaudio**.

#### **BELANGRIJK**

Bij een evt, beroep op de garantie is het de verantwoordelijkheid van de consument een gedateerd bewijs van aankoop te tonen. Uw kassabon of factuur zijn voldoende bewijs.



Loving music

## User manual / Bedienungsanleitung

### ITALIANO GARANZIA

L'apparecchio è coperto da una garanzia di buon funzionamento della durata di un anno, o del periodo previsto dalla legge, a partire dalla data di acquisto comprovata da un documento attestante il nominativo del Rivenditore e la data di vendita. La garanzia sarà prestata con la sostituzione o la riparazione gratuita delle parti difettose. Non sono coperti da garanzia difetti derivanti da uso improprio, errata installazione, manutenzione effettuata da personale non autorizzato o, comunque, da circostanze che non possano riferirsi a difetti di funzionamento dell'apparecchio. Sono inoltre esclusi dalla garanzia gli interventi inerenti l'installazione e l'allacciamento agli impianti di alimentazione.

Gli apparecchi verranno riparati presso i nostri Centri di Assistenza Autorizzati. Le spese ed i rischi di trasporto sono a carico del cliente. La casa costruttrice declina ogni responsabilità per danni diretti o indiretti provocati dalla inosservanza delle prescrizioni di installazione, uso e manutenzione dettagliate nel presente manuale o per guasti dovuti ad uso continuato a fini professionali.

### ESPAÑOL GARANTIA

Para obtener información acerca de la garantía póngase en contacto con su distribuidor **Clearaudio**.

#### **GUARDE SU RECIBO DE COMPRA**

Su recibo de compra es su prueba permanente de haber adquirido un aparato de valor, Este recibo deberá guardarlo en un lugar seguro y utilizarlo como referencia cuando tenga que hacer uso del seguro o se ponga en contacto con **Clearaudio**.

#### **IMPORTANTE**

Cuando solicite el servicio otorgado por la garantía el usuario tiene la responsabilidad de demostrar cuándo efectuó la compra. En este caso, su recibo de compra será la prueba apropiada.



Loving music

### **clearaudio electronic GmbH**

Spardorfer Straße 150  
91054 Erlangen  
Germany

Phone /Tel.: +49 9131 40300 100

Fax: +49 9131 40300 119

[www.clearaudio.de](http://www.clearaudio.de)

[www.analogshop.de](http://www.analogshop.de)

[info@clearaudio.de](mailto:info@clearaudio.de)



### **Handmade in Germany**

Änderungen bleiben vorbehalten. Lieferbar solange Vorrat reicht. Für Druckfehler keine Haftung. Irrtümer vorbehalten- Kopien und Abdrucke – auch nur auszugsweise – bedürfen der schriftlichen Genehmigung durch die **clearaudio electronic GmbH**.

**Clearaudio Electronic** accepts no liability for any misprints.

Technical specifications are subject to change or improvement without prior notice.

Product availability is as long as stock lasts.

Copies and reprints of this document, including extracts, require written consent from

**Clearaudio Electronic GmbH, Germany.**

**2022**