

EXOTERYC RACK PRO



  
ARTESANÍA AUDIO  
the high end rack company





# 1 STAINLESS STEEL TOP ATTACHMENTS ON RACK UPRIGHTS

The top of the external structure is made with conical recess to support the spikes of a turntable platform.

Check our catalogue for more info about platforms.



# 2 EXTERNAL STRUCTURE

Made of steel, filled with special anti-vibrations materials that creates a heavy, resistant and stable rack. With textured painting for diffusion purposes.

The resonance coefficient of the structure is significantly lowered.



# 3 INTERNAL SUSPENDED STRUCTURE

Isolated from external structure, the second of the three decoupling levels of the rack.

Eliminates vibrations that are transmitted from solid and acoustic sources through the creation of decouples with steel spikes supported on stainless steel couplers.

These provide extra tiers of anti- resonant protection.

# 4 STAINLESS STEEL SPIKE COUPLERS

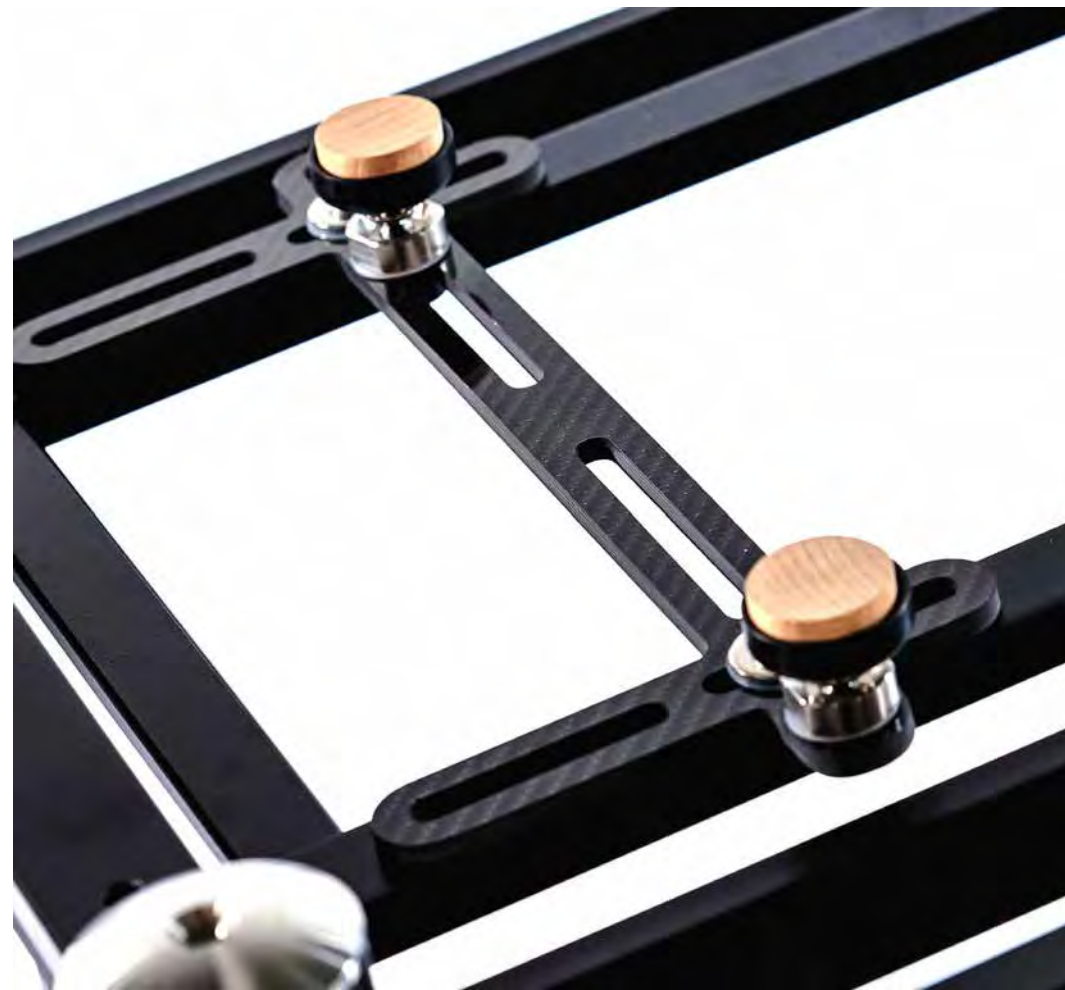
As the Master Kyo rack, the Exoteryc Rack Pro has machined stainless steel spike couplers sited on black Teflon cylinders to provide more robust support, easier to adjust, to offer an improved decoupling.





## 5 INTERNAL FRAME

Height-adjustable frames to place any size of component properly, locked on the vertical stainless steel bars of the suspended structure.



## 7 ISOLATION DISCS

Support each of the electronic components (without any need for shelves).  
Easy installation facilitated by elastic inserts which provides stability to place electronic components on the adjustable spikes.  
Discs made in beech wood.



## 6 CARBON FIBER LINEAR ARMS

Made with carbon fiber to improve the standard stainless steel arms. New design to locate the adjustable isolation discs in a larger range of positions.

This system allows to set up the ideal support position for electronic components.



## 9 BRIDGE BAR

Height-adjustable steel rear profiles strengthen the external structure to guarantee stability and ensure free easy access to install components.

## 8 IMPROVED DECOUPLING FLOOR SYSTEM

As the Master Kyo Rack, includes a stainless steel locknut system easier to adjust, with spherical-ending spikes supported on stainless steel decoupling discs.

Two types of floor pads are included, with different sonic behavior, depending on the room acoustics.

## 10 STABILIZAR BAR

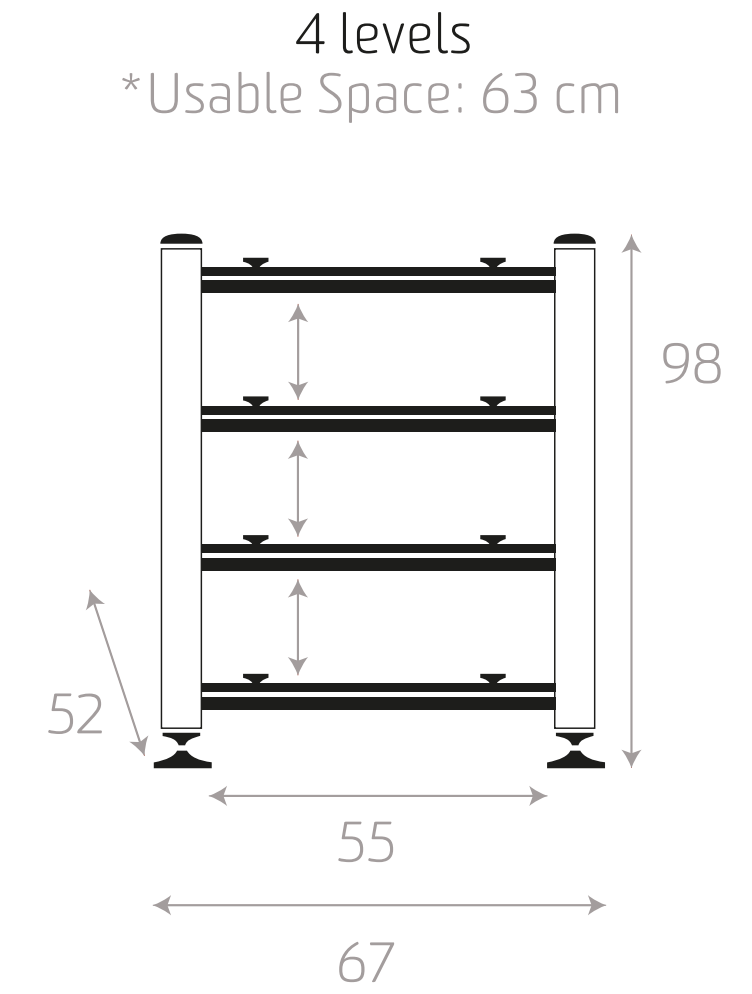
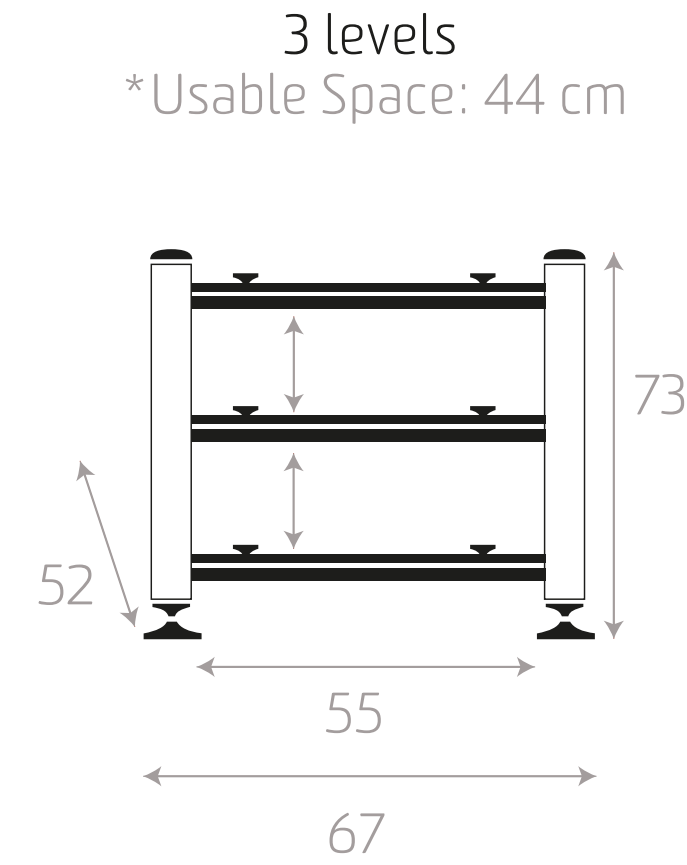
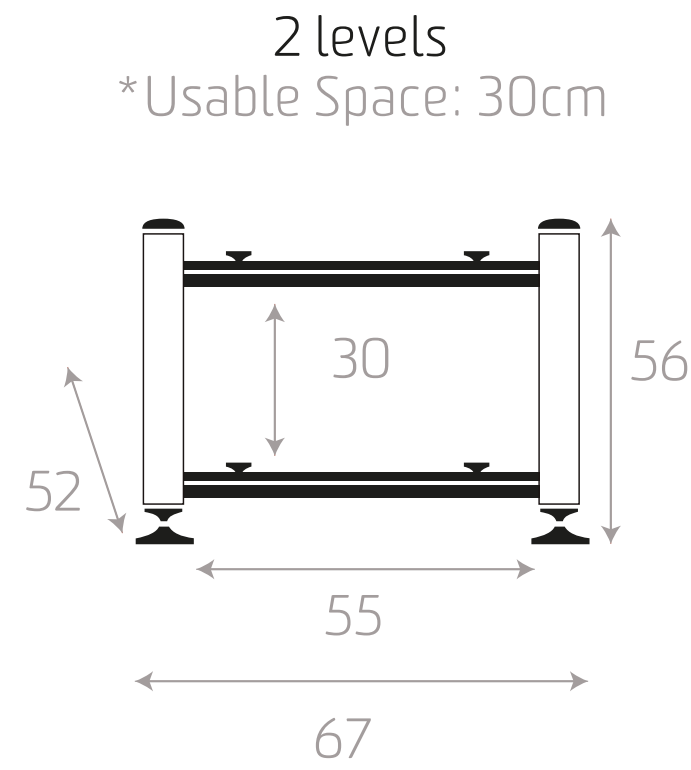
Located in the internal structure, stops the tiniest pendulum movement of the internal structure.

Four in each rack, located at the lowest part of the internal structure. Check manual to use it properly.

## 11 GROUNDING

To connect electronics (essential for phono).  
Check manual to connect properly if is necessary.





Dimensions	2 Levels	3 Levels	4 Levels
Total height	56 cm / 20,05 "	73 cm / 28,74 "	98 cm / 38,58 "
Internal distance between legs	55 cm / 21,65 "	55 cm / 21,65 "	55 cm / 21,65 "
External distance between legs	67 cm / 26,38 "	67 cm / 26,38 "	67 cm / 26,38 "
Total depth	52 cm / 20,47 "	52 cm / 20,47 "	52 cm / 20,47 "
*Usable Space: Total net space between tiers	30 cm / 11,81 "	44 cm / 18,11 "	63 cm / 24,80 "
Usable depth	Adaptable on depth		

\*Information: Height adjustment of the shelves by means of guides in the Useful Space.

\*Upon Request: Any special & custom version.



### Exoteryc Rack PRO Weight

MODEL	kg	lb
2 levels	40	88
3 levels	50	110
4 levels	62	137

### Internal Structure Weight Supported

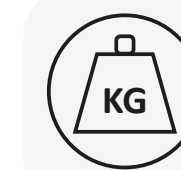
MODEL	kg	lb
2 levels	140	309
3 levels	170	375
4 levels	200	441

### Platform Weight Supported

PLATFORM MODEL	kg	lb
Treated Glass (While stocks last)	150	330
Krion	150	330
Panzerholz	150	330



All racks are shipped 95% assembled.



Supports  
kg / lb





ARTESANÍA AUDIO

the high end rack company