

KI RACK



ARTESANÍA AUDIO

the high end rack company



# 1 MODULAR DESIGN

Robust and reliable, its modular design allows you to easily add or remove shelves, making it easy to pack, transport and install.

# 2 LESS PARTS, MORE POSSIBILITIES

This innovator design makes possible to leave aside the classic linear arms, while maintaining the isolation discs that suspend the equipment from the shelf, providing them with optimal ventilation.



# 3 LET YOUR EQUIPMENT BE THE MAIN CHARACTER

Although the minimalist style, the gap between pillars allows a wide range of equipment to be housed, giving them the protagonist they deserve.



## 4 STANDARD HEIGHTS... OR NOT

The pillars, although they have standard measurements, can be manufactured in the measurements that best suit your needs. The technical department will advise you to find the best solution.

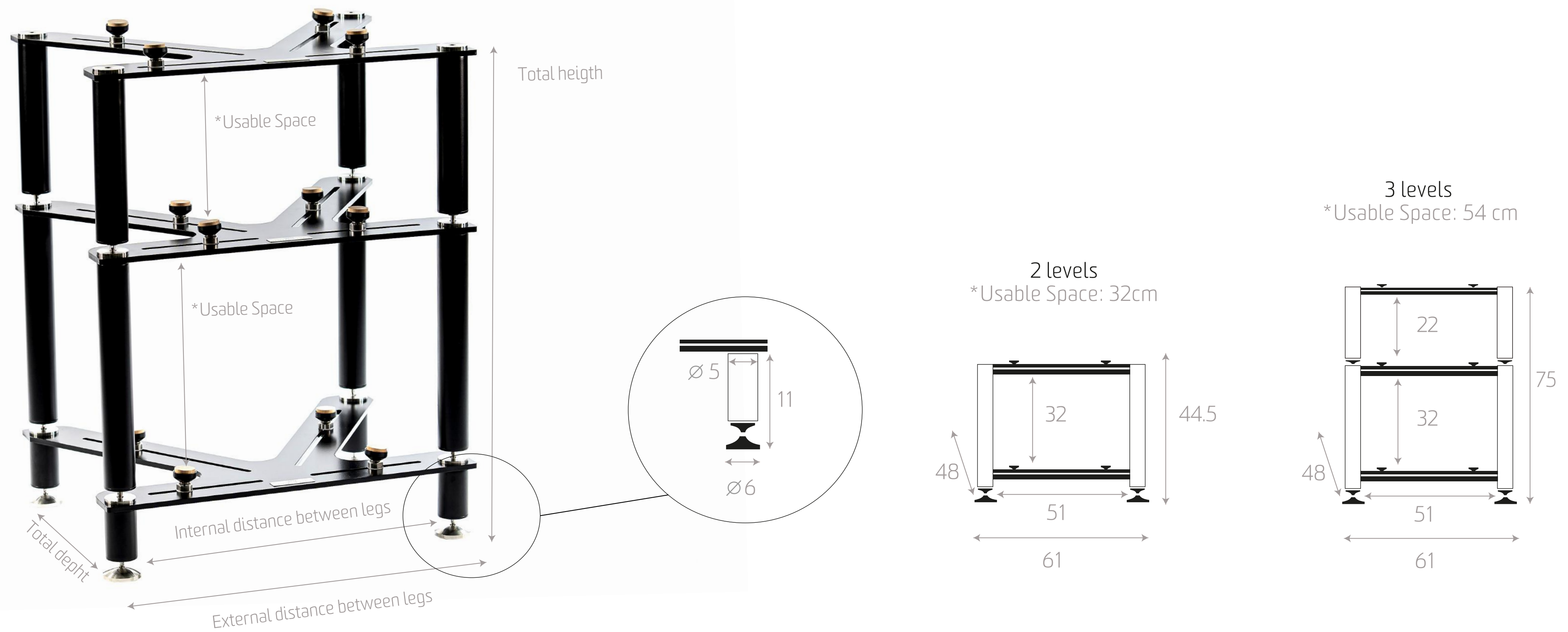
## 5 DECOUPLE EVERY LEVEL

The rack decouples from the floor with spherical-ending spikes supported on stainless steel decoupling discs. Each shelf has his own four decoupling discs.



## 6 STAINLESS STEEL TOP ATTACHEMNTS ON RACK UP RIGHTS

The top of the shelves have a conical recess to support the spherical-ending spikes of the next level or a turntable platform. Check our catalogue for more info about platforms.



Dimensions	2 Levels	3 Levels
Total height	44.5 cm / 17.52 "	75 cm / 29.53 "
Internal distance between legs	51 cm / 20.10 "	51 cm / 20.10 "
External distance between legs	61 cm / 24.01 "	61 cm / 24.01 "
Total depth	48 cm / 18.90 "	48 cm / 18.90 "
*Usable Space: Total net space between tiers	32 cm / 12.60 "	54 cm / 21.26 "
Usable depth	Adaptable on depth	

\*Information: Height adjustment of the shelves by means of guides in the Useful Space.

\*Upon Request: Any special & custom version.



### Ki Rack Weight supported per level

MODEL	kg	lb
3rd level	40	88.19
2nd level	40	88.19
1st level	75	165.35

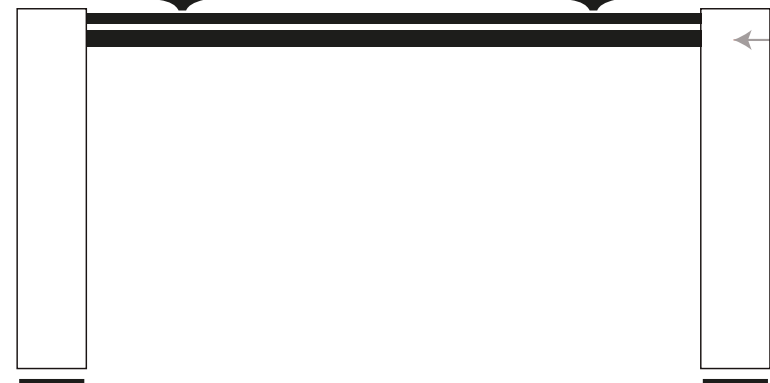


### Platform Weight Supported

Compatible with our platform system.

Request more information from our engineering department:

[tech@artesianiaaudio.com](mailto:tech@artesianiaaudio.com)

### Scheme

MODEL	kg	lb
	40	88.19
	40	88.19
	75	165.35





ARTESANÍA AUDIO

the high end rack company