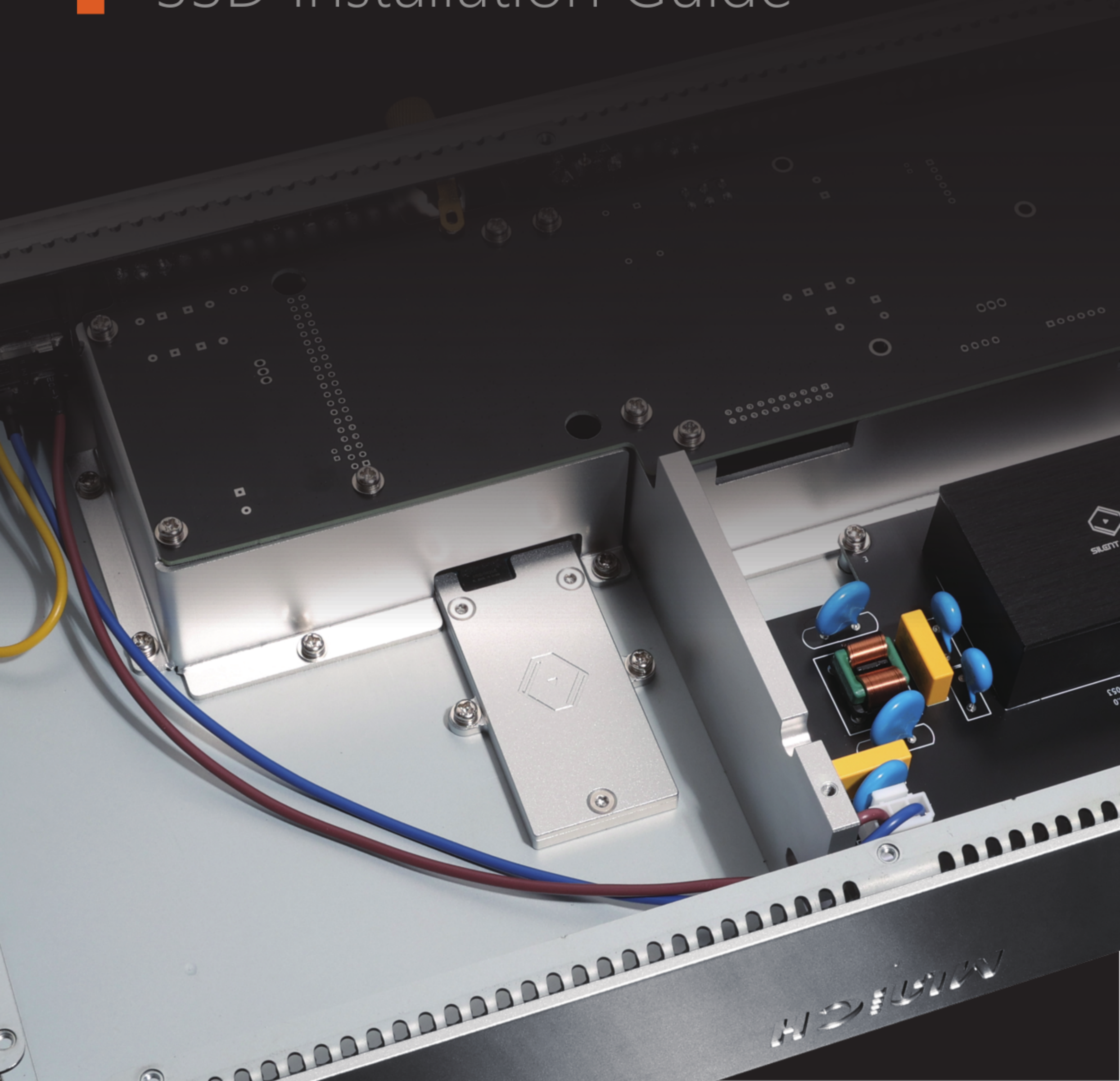




SILENT ANGEL

Munich MU

SSD Installation Guide



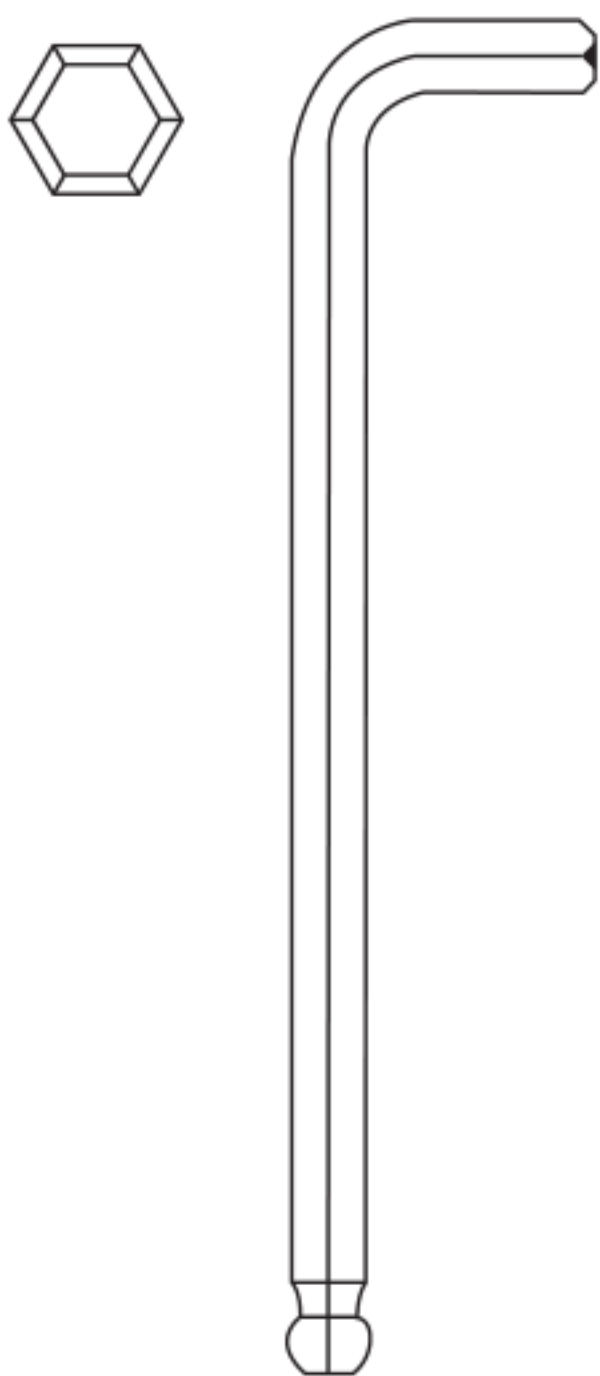
Preparation tools

Included preparation tools:

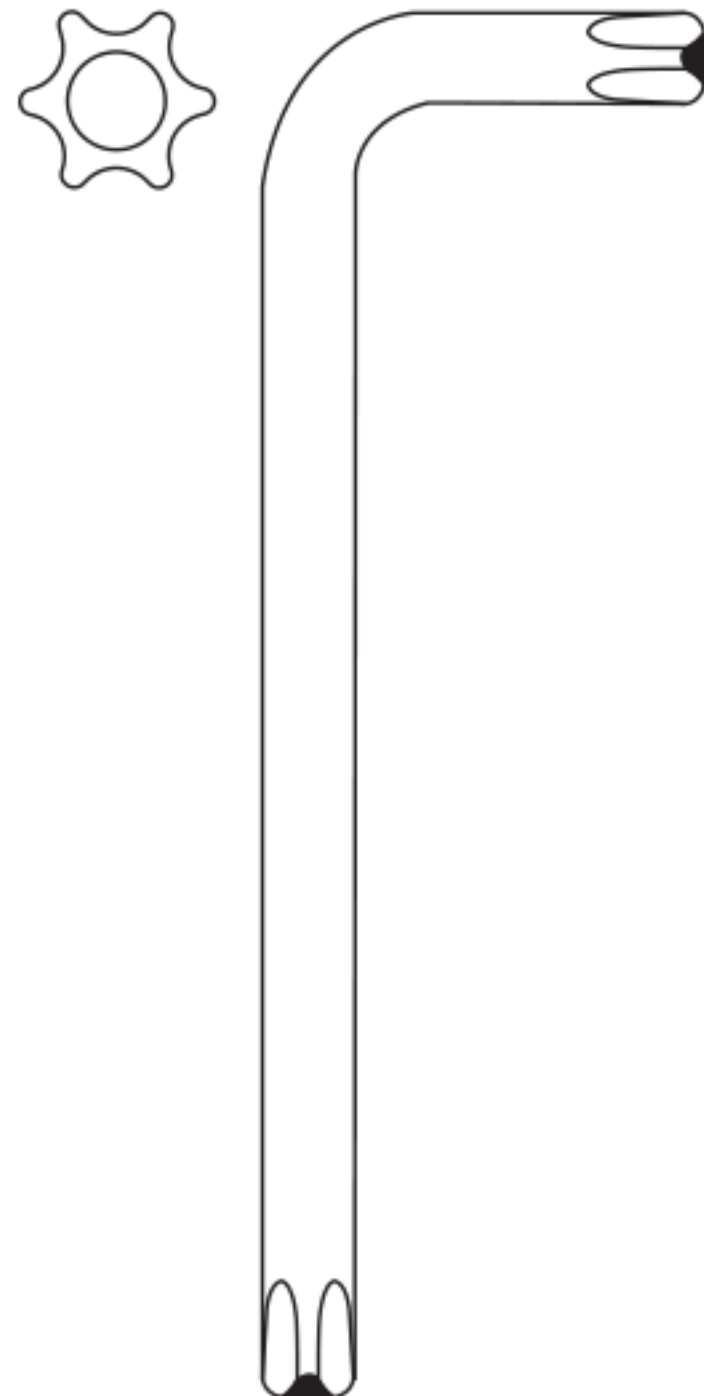
1. H2.5 Allen wrench.
2. T10 Torx wrench.
3. Cross wrench.
4. Thermal paste.
5. Foam pad. (Use the foam in the carton)
6. MU devices and MU-compatible SSD drives. (M.2 2280 NVMe SSD)

Note: Before proceeding, ensure that the power supply and all other connecting cables of the MU device are disconnected.

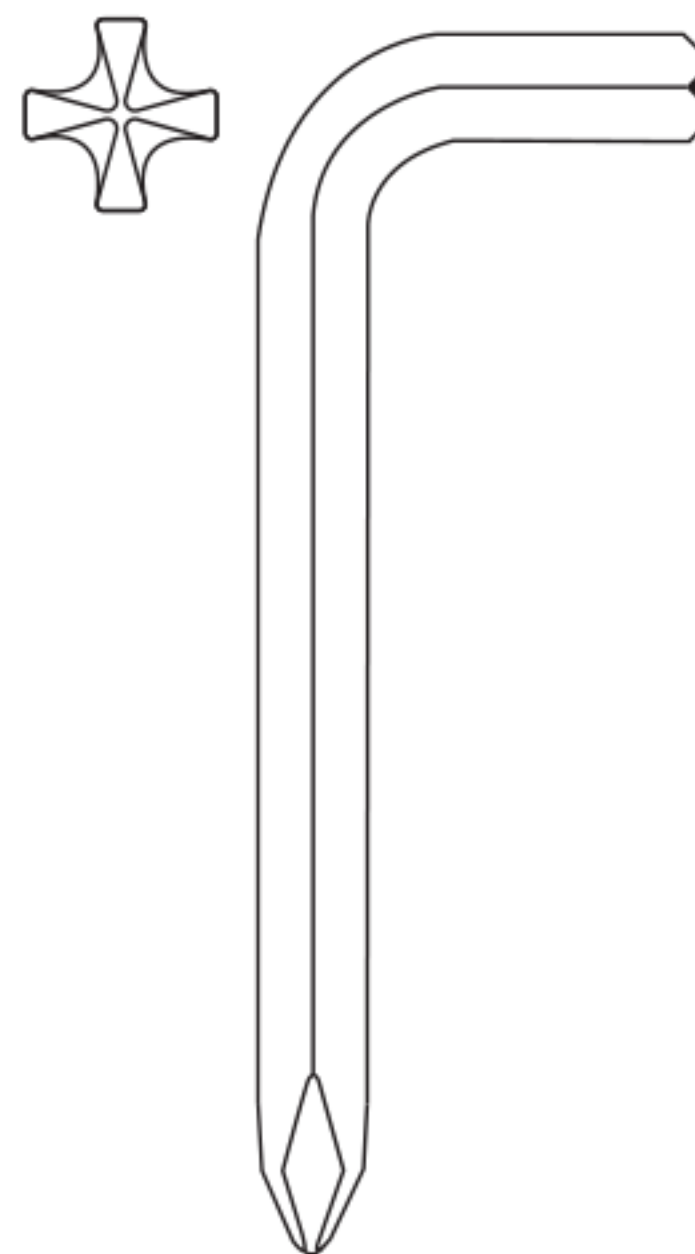
H2.5 Allen wrench



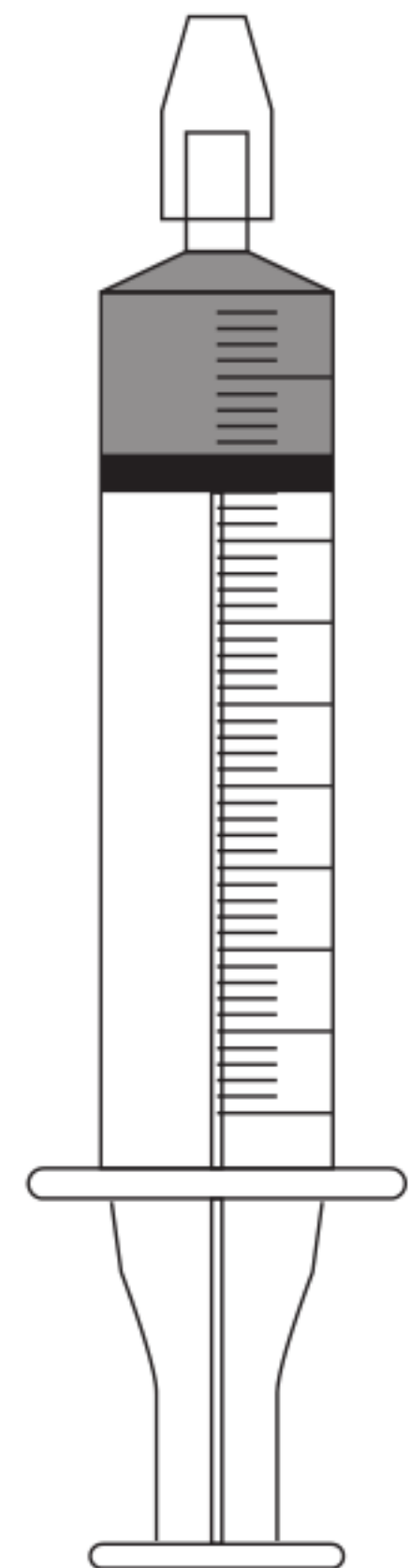
T10 Torx wrench



Cross wrench



Thermal paste

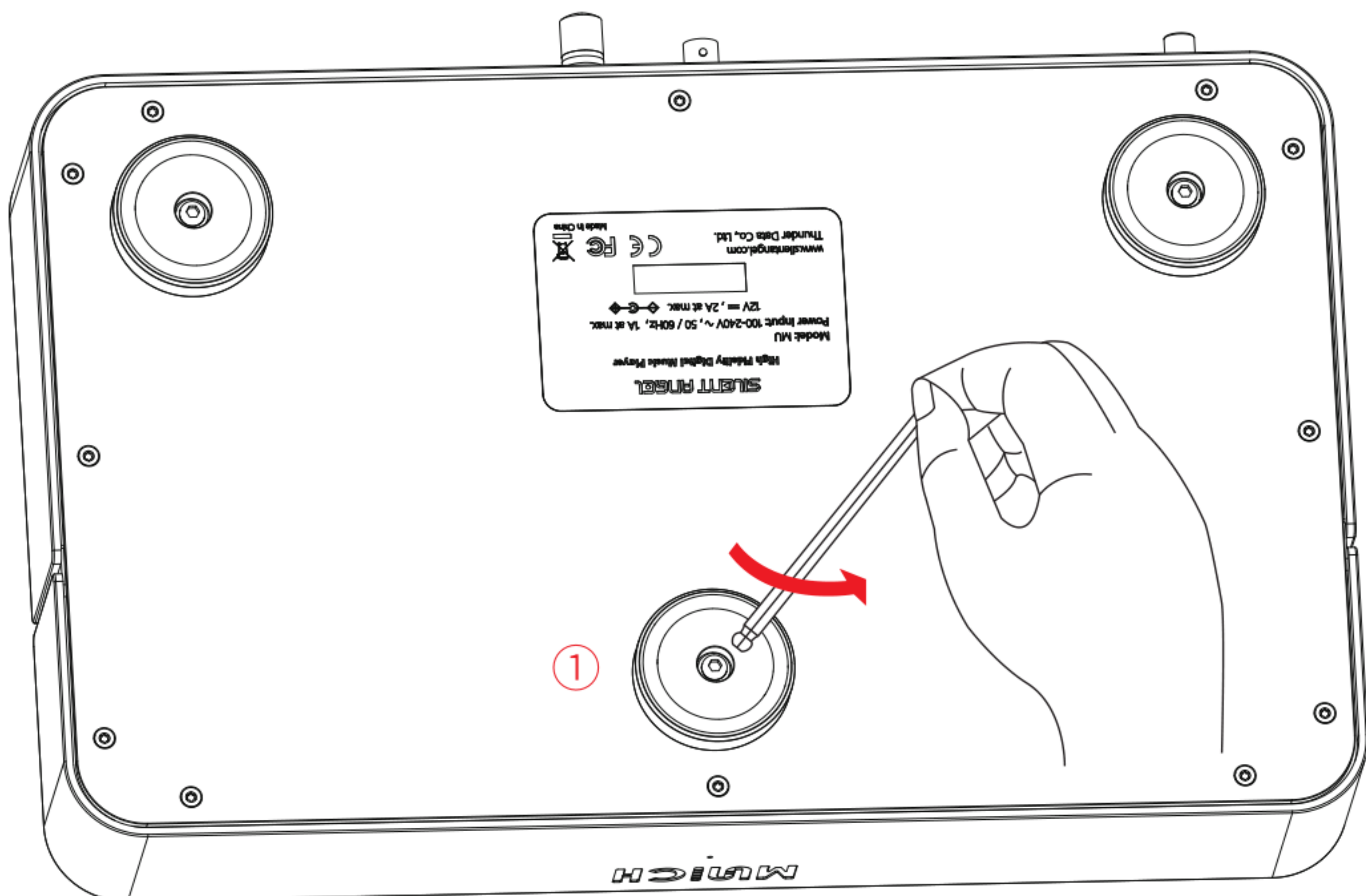


Start operation

1.Remove the foot pads

1. Place the foam pad on the table.
2. Place the MU device to be installed with SSD upside down on the foam pad.
3. Take the hexagonal wrench and turn the wrench counterclockwise to remove one of the foot pads shown in the picture.

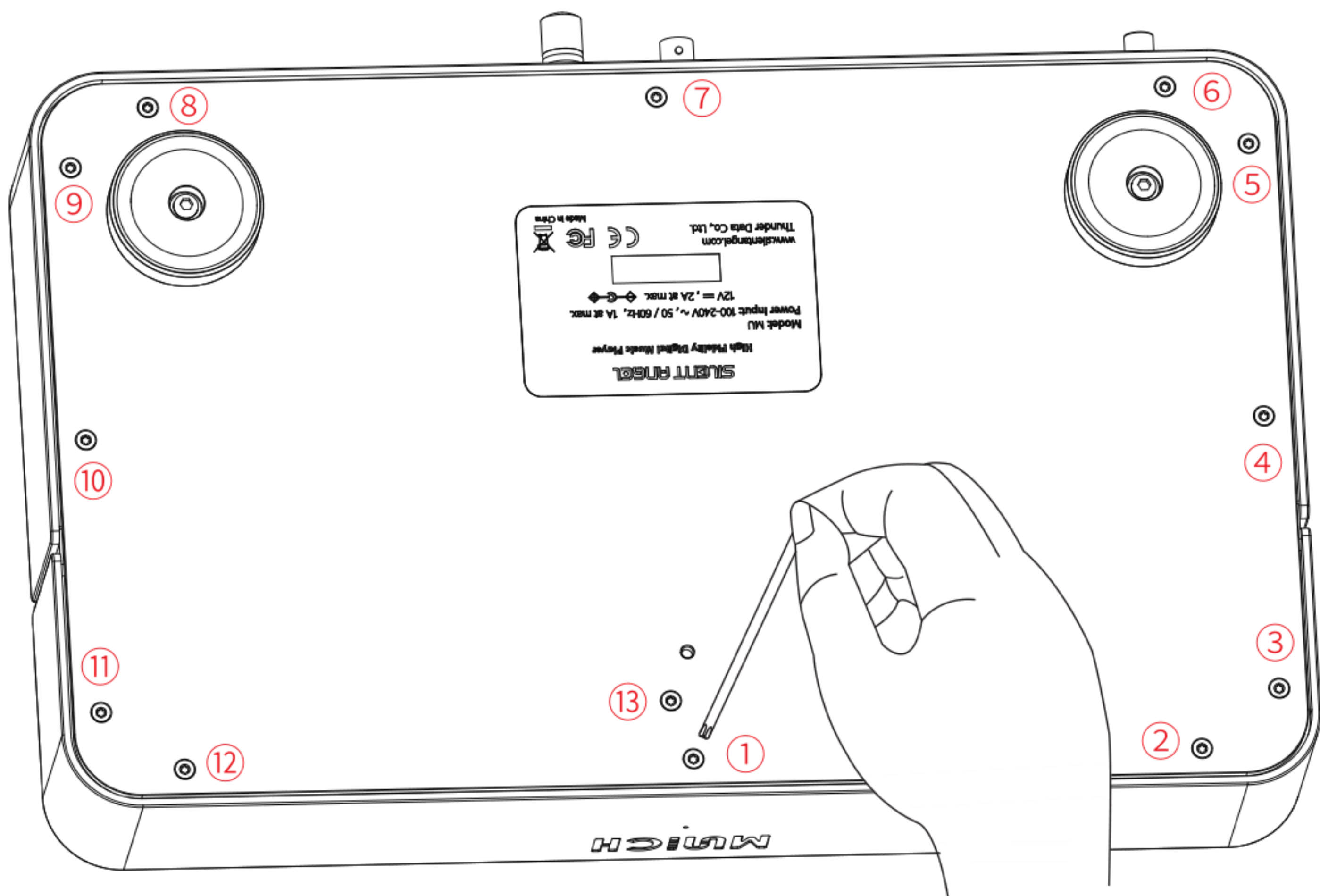
Note: Only remove the marked 1 foot pad.



2. Remove the bottom cover

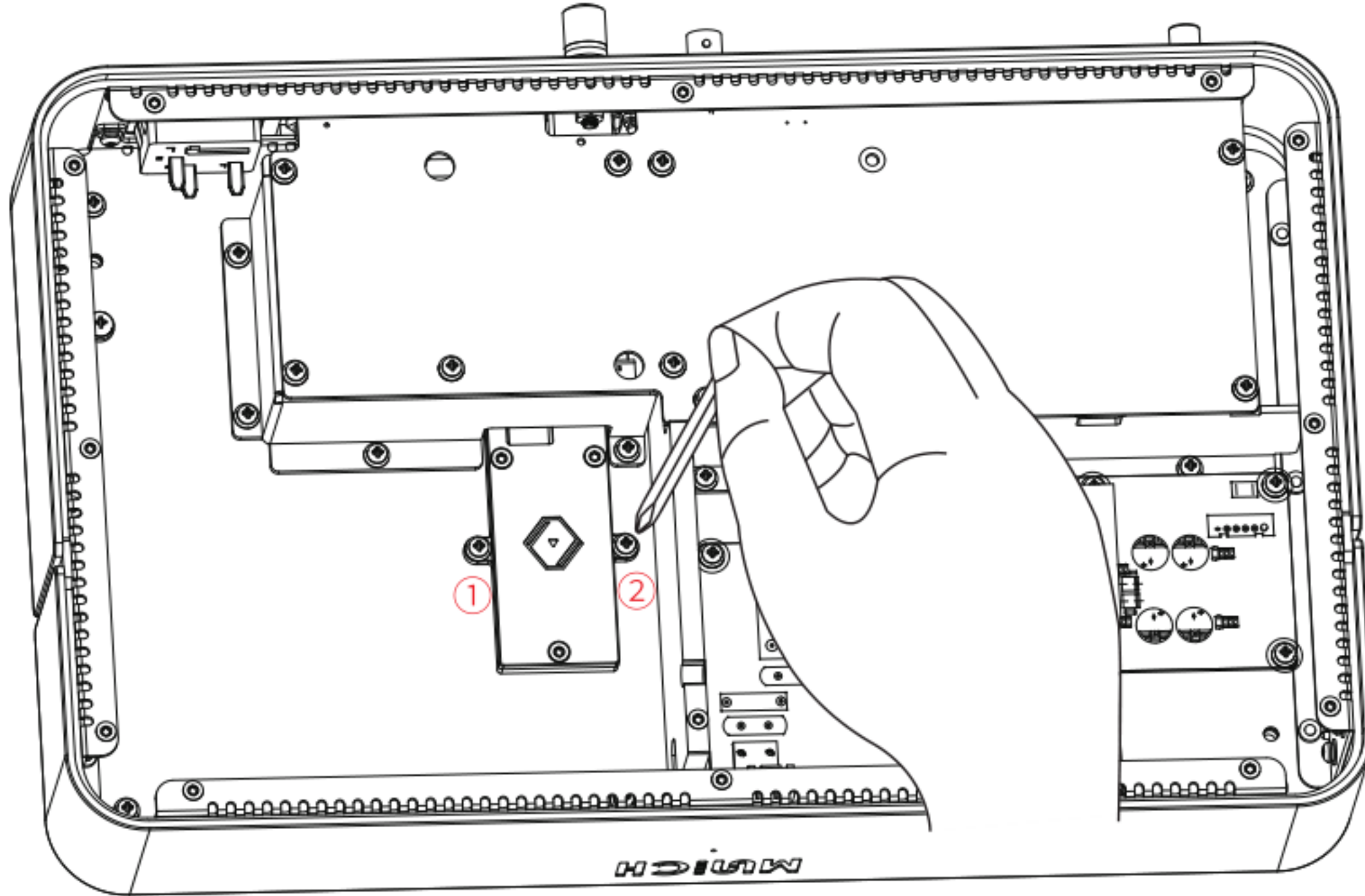
1. Take the torx wrench and turn the wrench counterclockwise to remove the 13 screws as shown in the picture.
2. After removing the 13 screws, grab the two foot pads and lift up the bottom cover and set it aside.

Note: Remove 13 screws.



3.Remove the SSD bracket

1. Take the cross wrench and turn the wrench counterclockwise to remove the 2 screws as shown in the picture.

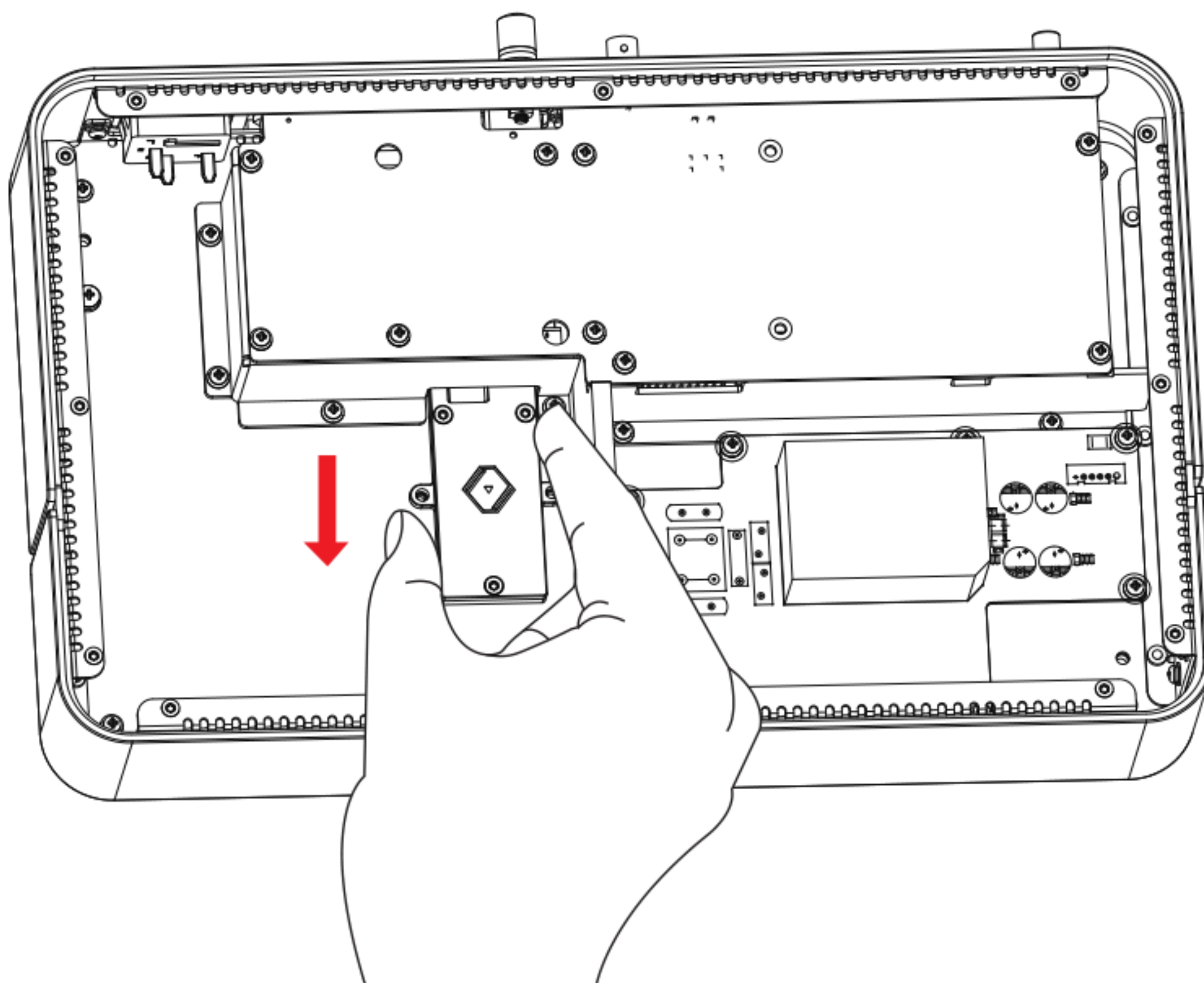


4.Remove the SSD bracket

1. Pull out the SSD bracket in the direction of the arrow.

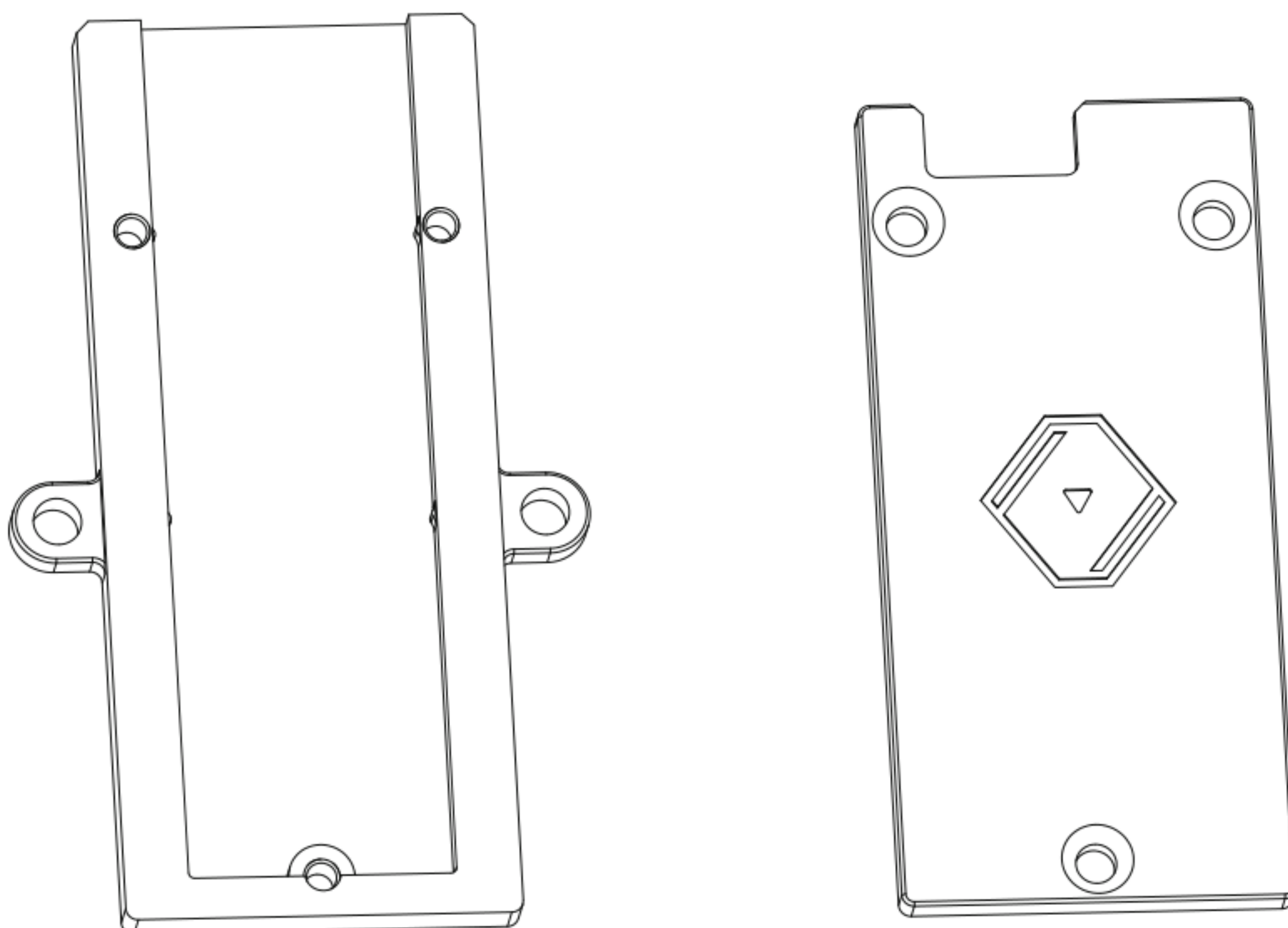
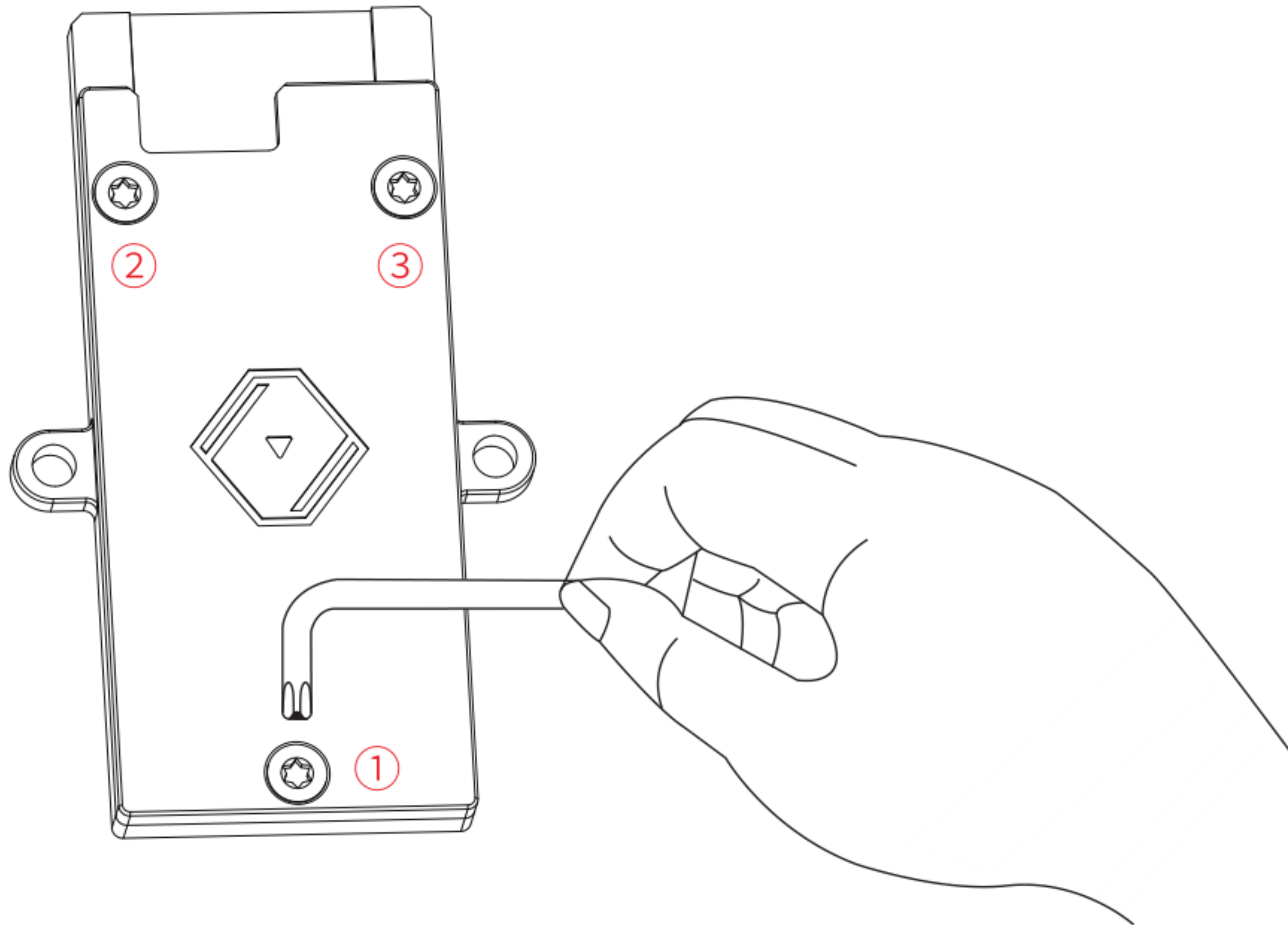
Note: Please confirm that the power cord of the device has been disconnected.

The SSD slot does not support the hard disk hot-swap function.



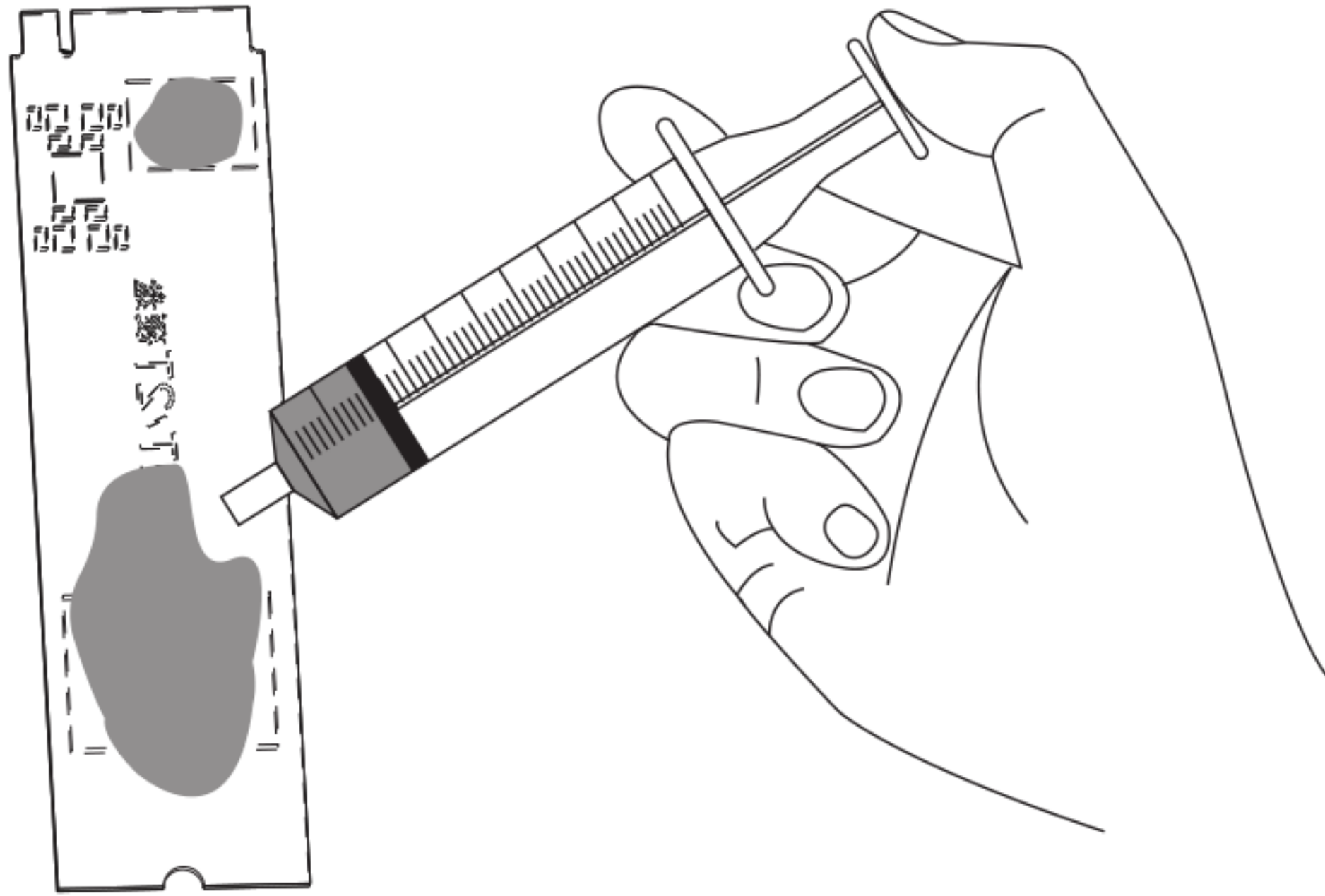
5.Remove the SSD cover

1. Take the torx wrench and turn the wrench counterclockwise to remove the 3 screws as shown in the picture.
2. Remove the SSD cover.



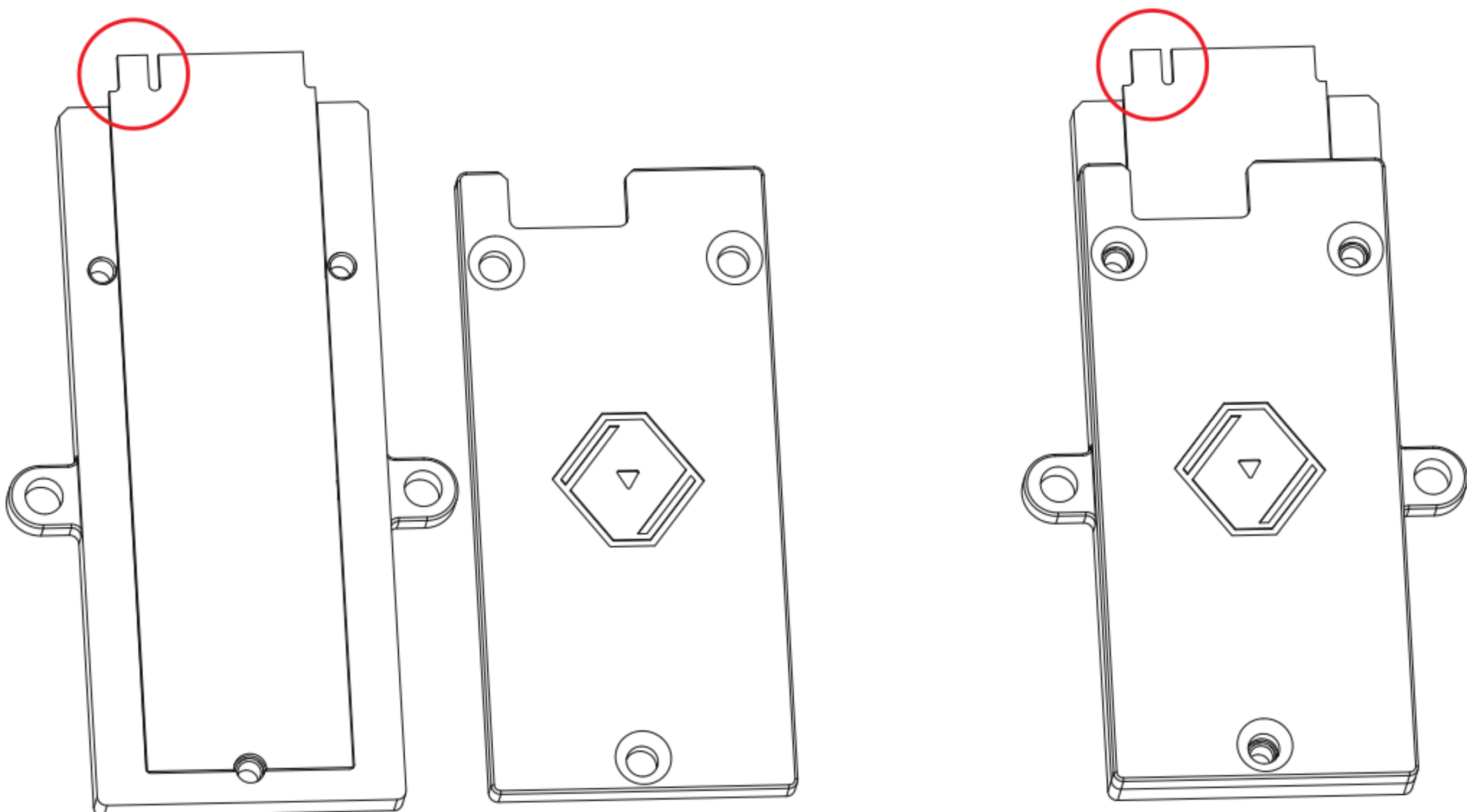
6.SSD coated with thermal paste

1. Take thermal paste and apply a soybean-sized amount of thermal paste on the chip that needs heat dissipation on the SSD.



7.Install an SSD

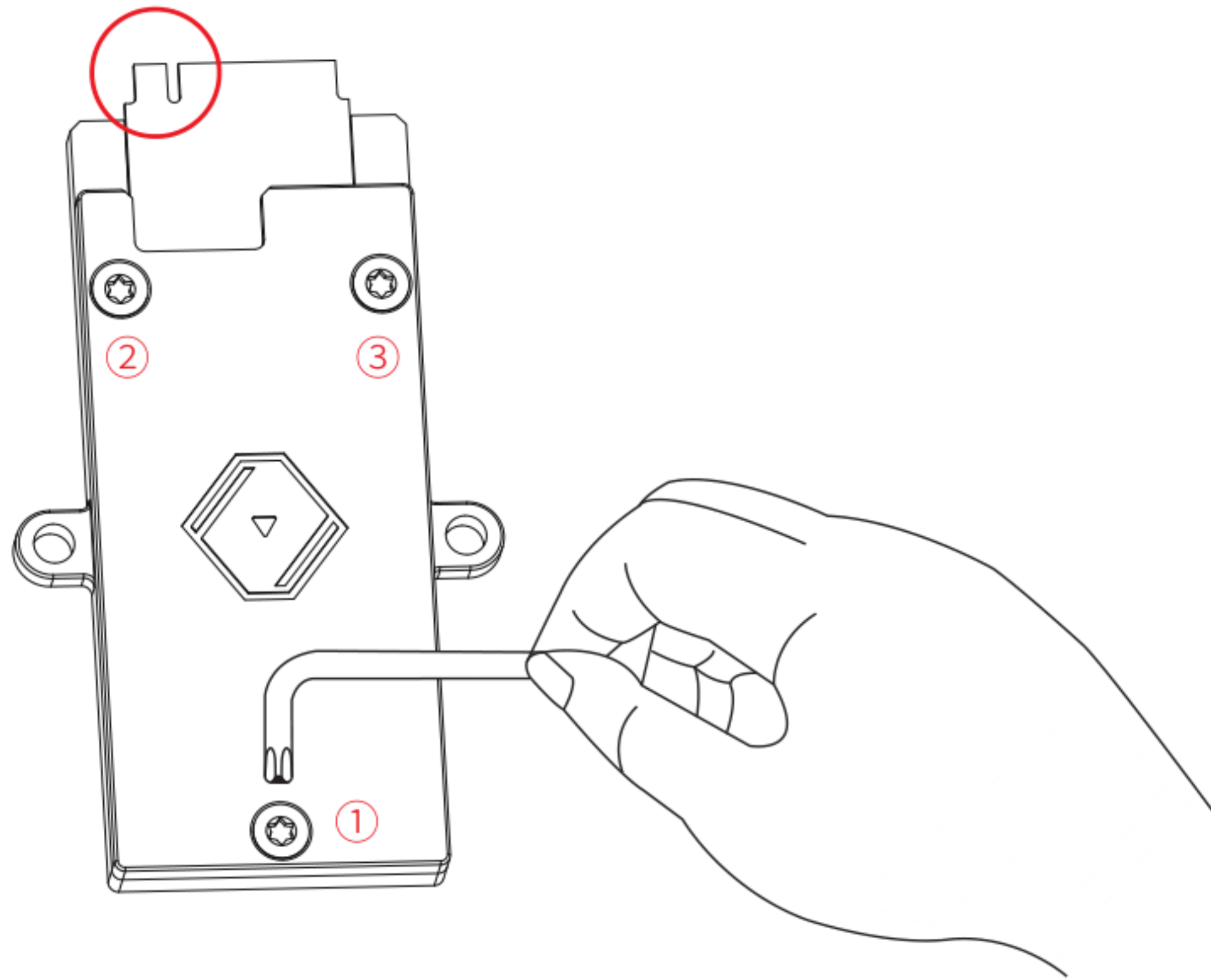
1. Install the SSD into the bracket slot. Pay attention to the direction of the SSD notch as shown in the figure. Press the SSD tightly.



8.Lock SSD cover

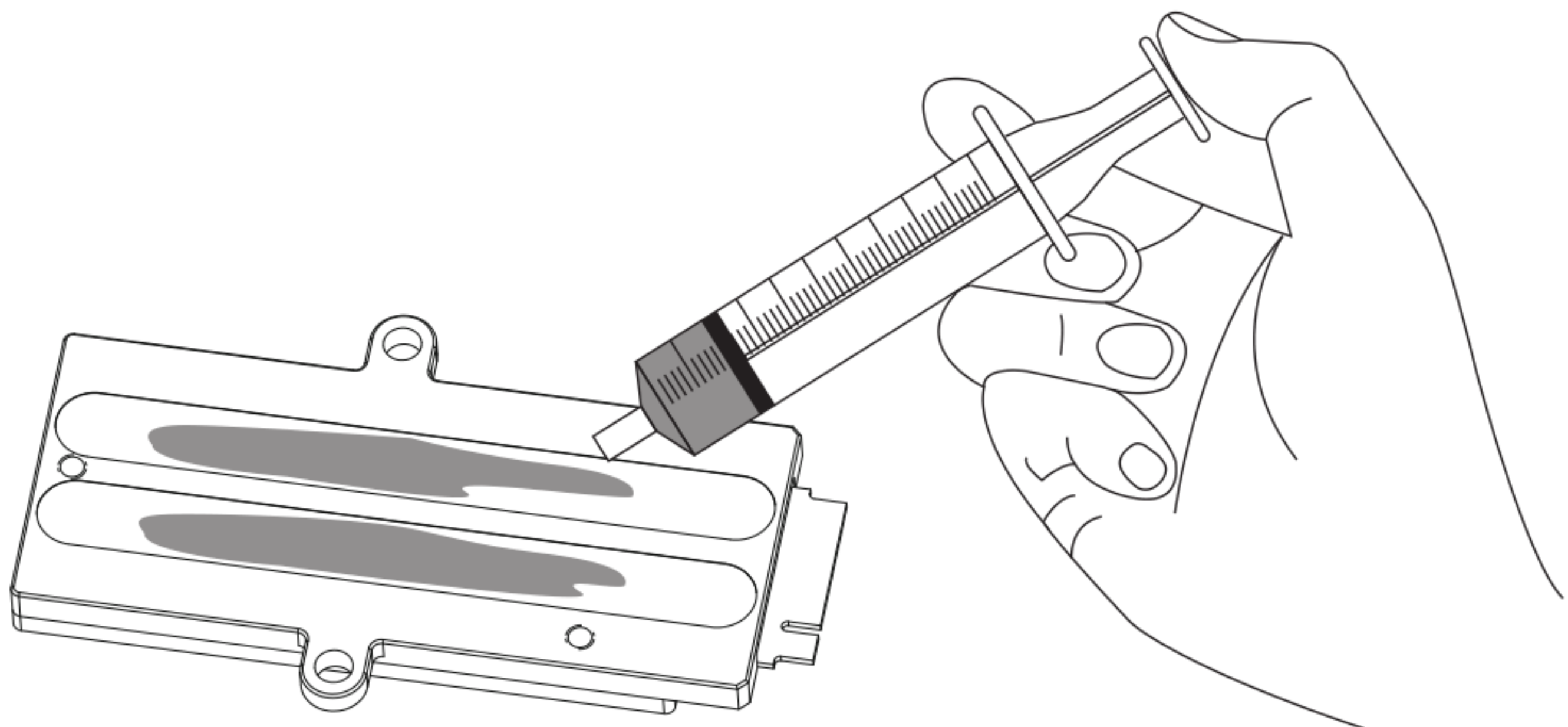
1. Cover the SSD cover and tighten the 3 screws with a torx wrench.

Note: Pay attention to the orientation of the SSD notch as shown in the figure.



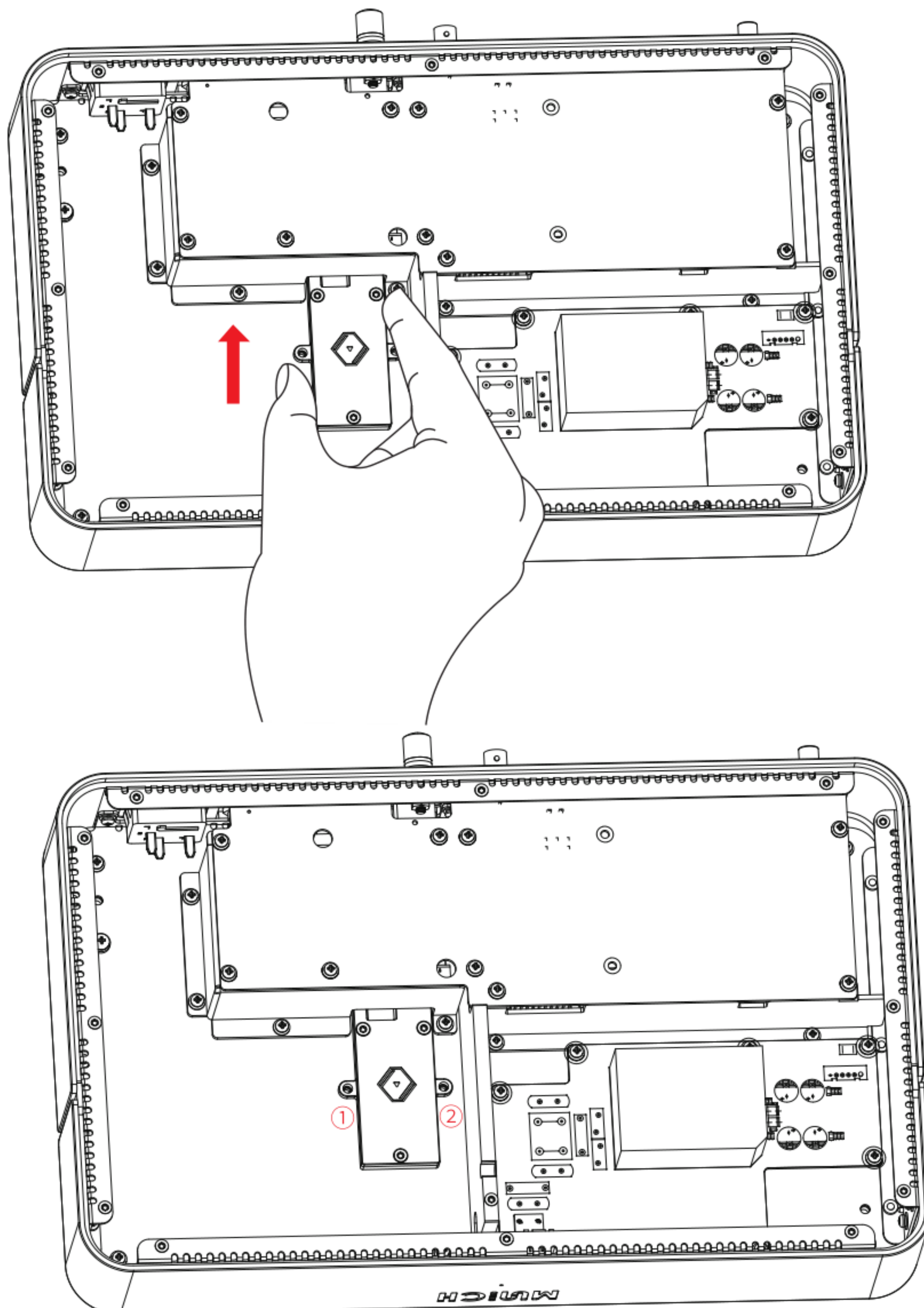
9.The bottom of the bracket is coated with thermal paste

1. Turn the bracket over to the back and apply thermal paste on the bottom of the SSD bracket. (apply two strips of shaped thermal paste on the bottom)



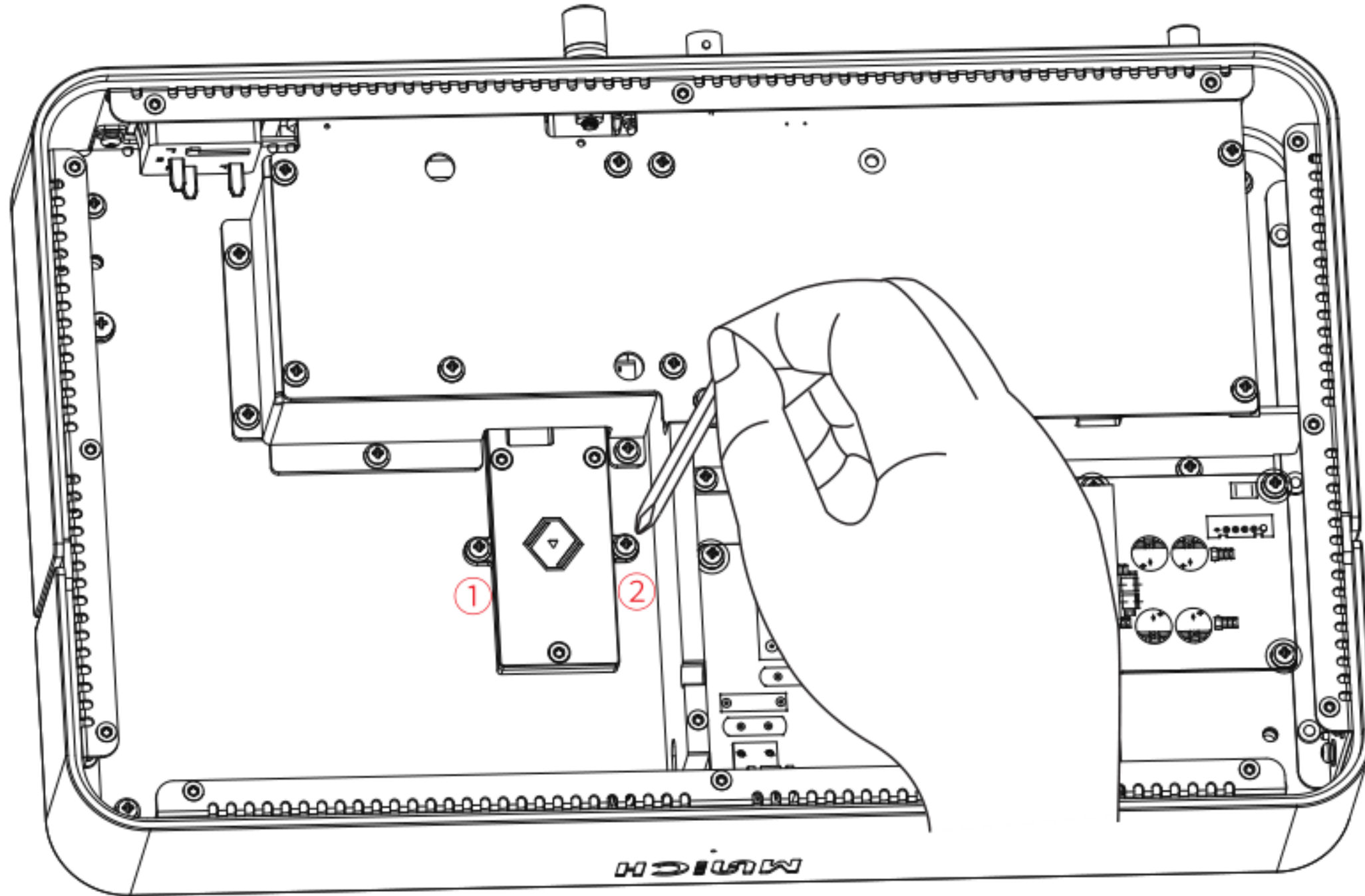
10. Insert SSD components

1. The handheld SSD component is pressed against the iron plate at the position shown in the MU.
2. Shake left and right to make the SSD component flat against the iron plate.
3. Shake the component left and right, and slowly insert the SSD component as shown by the yellow arrow.
4. Insert the SSD assembly until holes 1 and 2 are aligned as shown in the below figure.



11.Locking SSD components

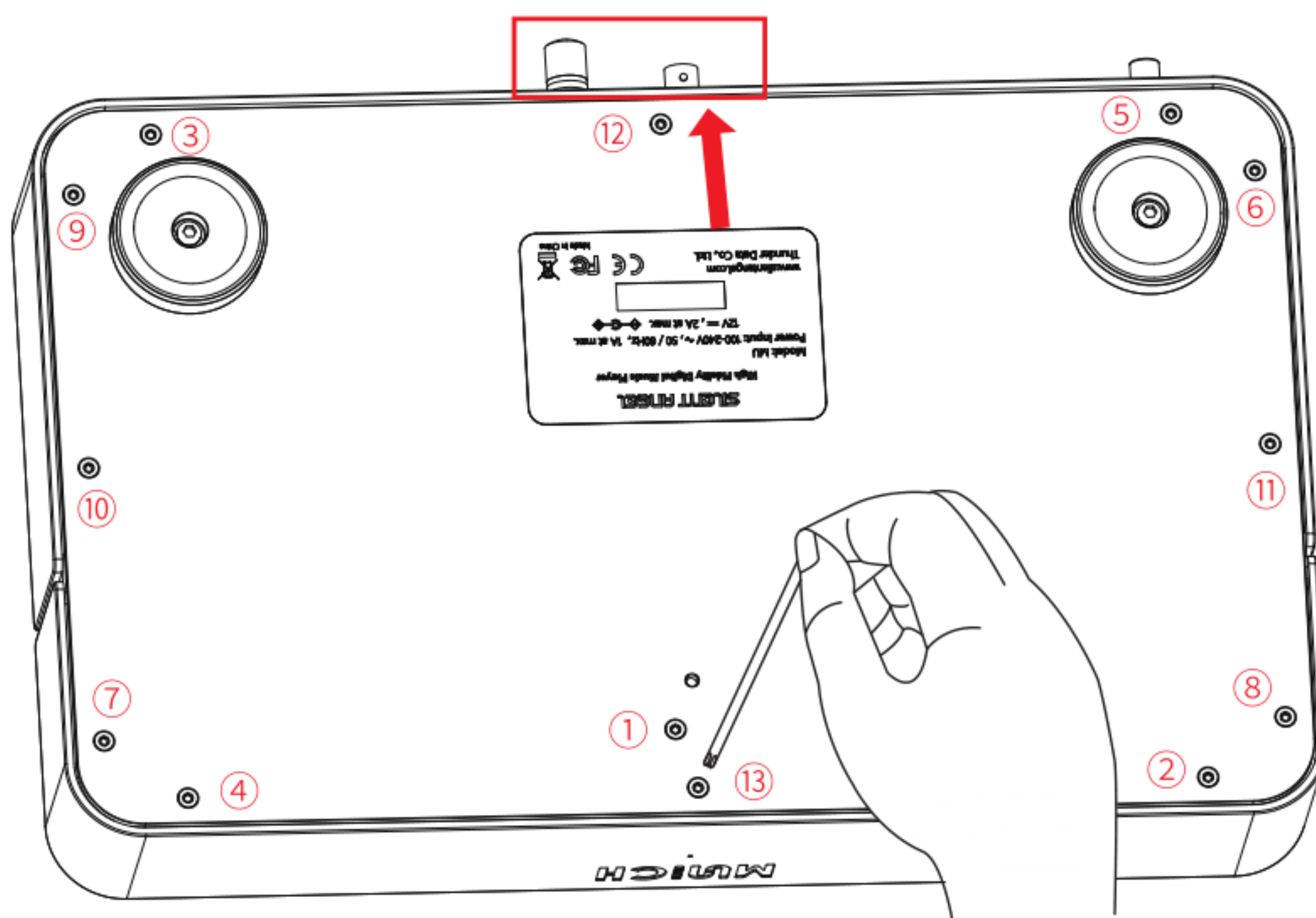
1. Take the screw and insert it into the screw hole.
2. Take the cross wrench and tighten the 2 screws clockwise.



12.Lock bottom cover

1. Replace the bottom cover and pay attention to the orientation of the nameplate and foot pads. (as shown in the picture)
2. Take the torx wrench and tighten the 13 screws according to the corresponding sequence numbers.

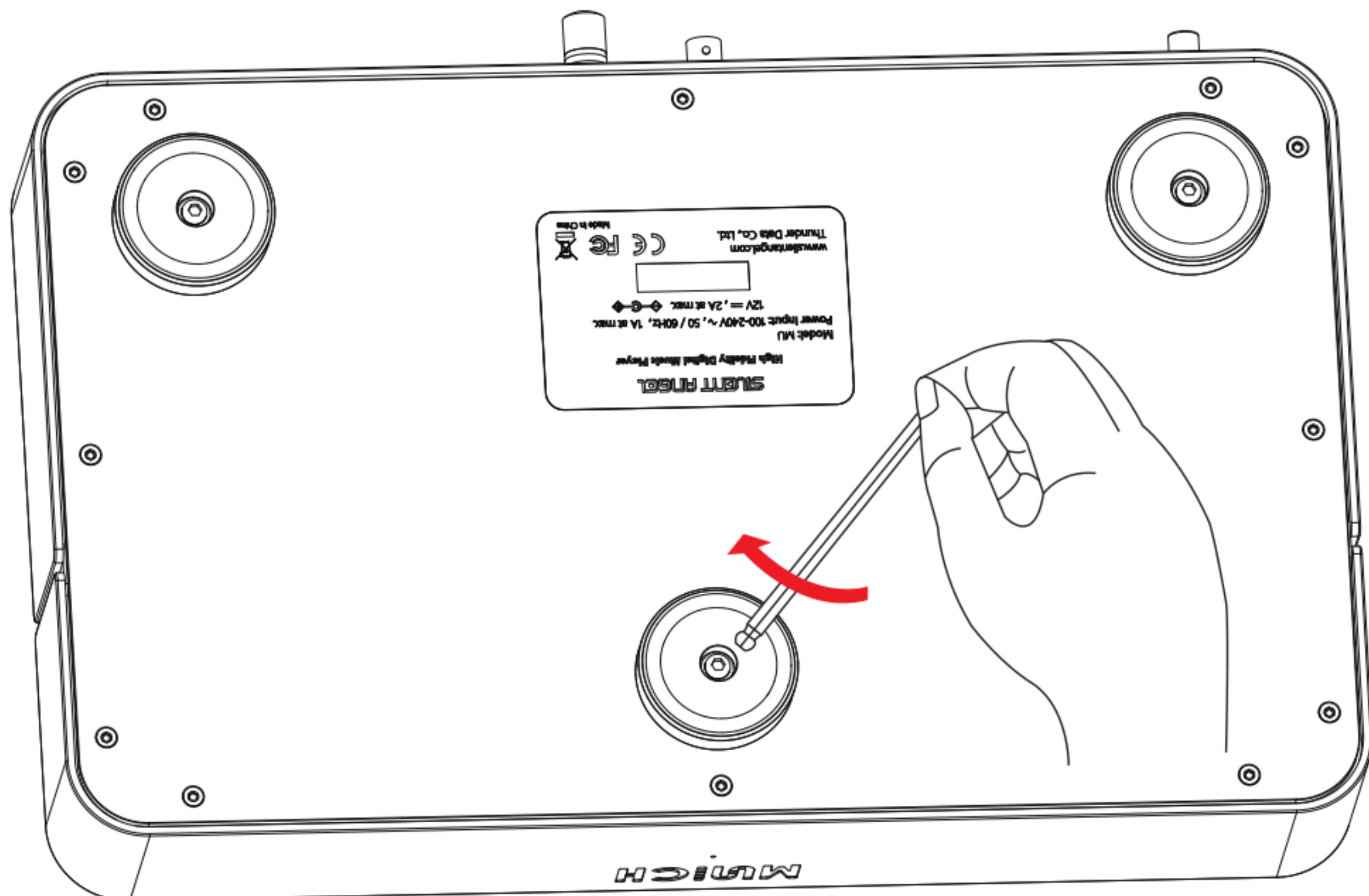
Note: Tighten the screws until they are not loose.



13.Locking pad

1. Take the Allen wrench and tighten the screw clockwise.

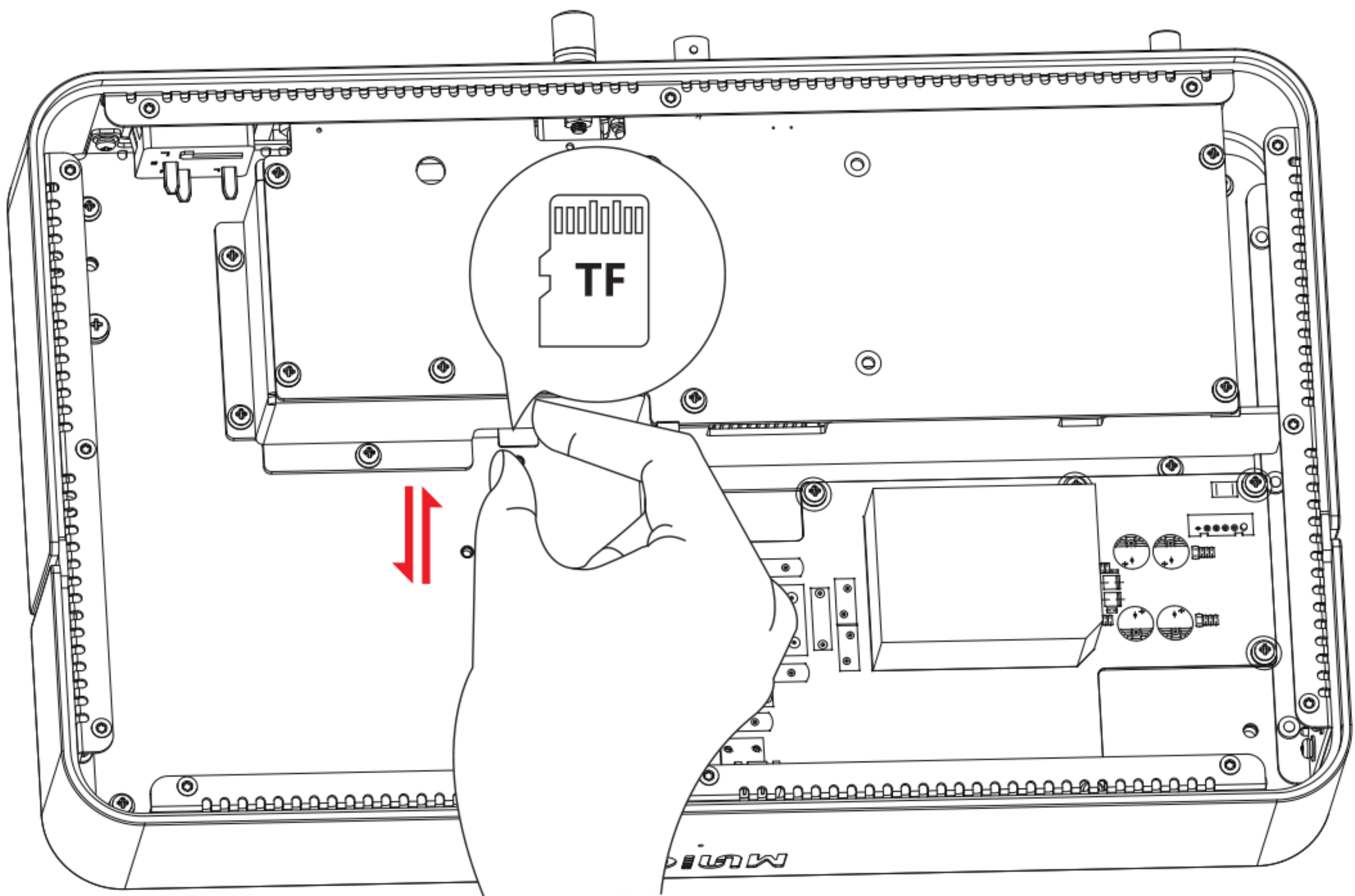
Note: Use long handles to tighten the screws. Do not use short handles to tighten the screws hard enough to cause the teeth to slip.



14.APP finds MU device

1. Turn on the MU device, turn on the power and open the VitOS Orbiter APP to find the MU device.
2. If the MU device cannot be found, you need to disconnect the power supply and repeat the operation: Step 1, Step 2, Step 3, Step 4. You need to take out the SSD bracket after disassembling the machine, and then take out the TF card and insert it again.

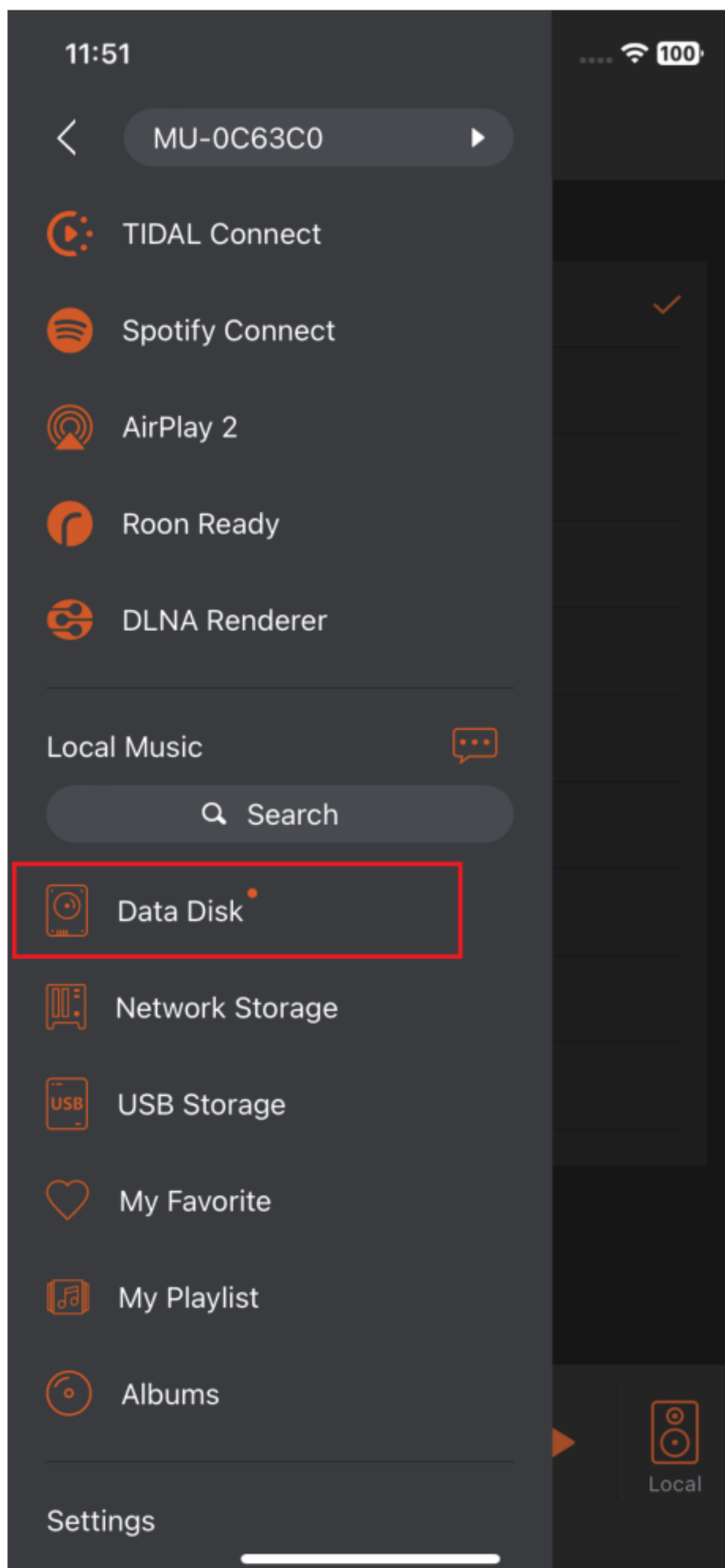
Note: After plugging and unplugging, you need to repeat steps 10, 11, 12, 13, 14.



15. Check the SSD

1. VitOS Orbiter APP finds the MU device and displays the "Data Disk" option under "Local Music" to indicate that the data disk is successfully installed.
2. If the "Data Disk" option is not displayed, you need to disconnect the power supply and reinstall the SSD. and repeat the operation: Step 1, Step 2, Step 3, Step 4, Step 10, Step 11, Step 12, Step 13, Step 14, Step 15.

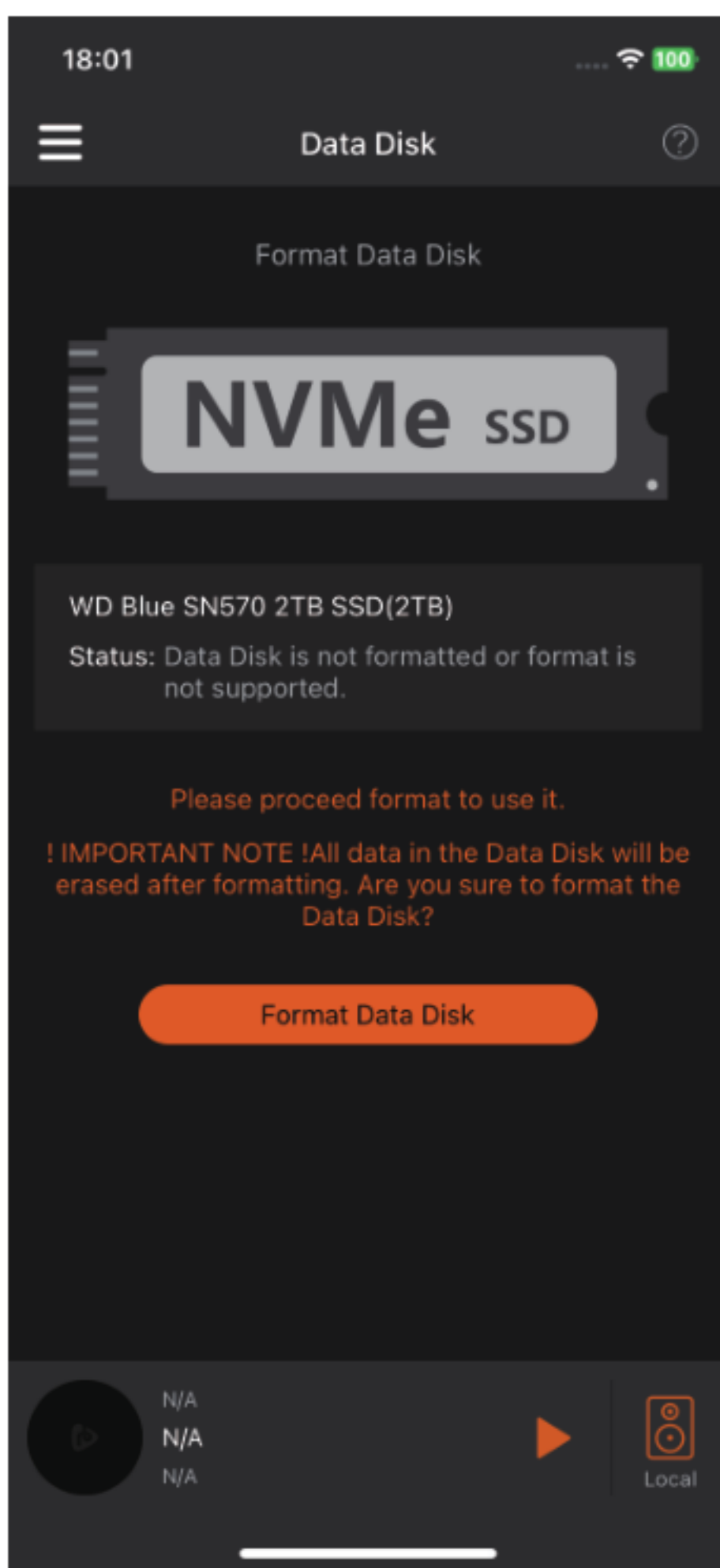
Note: There is no need to repeat steps 5, 6, 7, 8, 9.



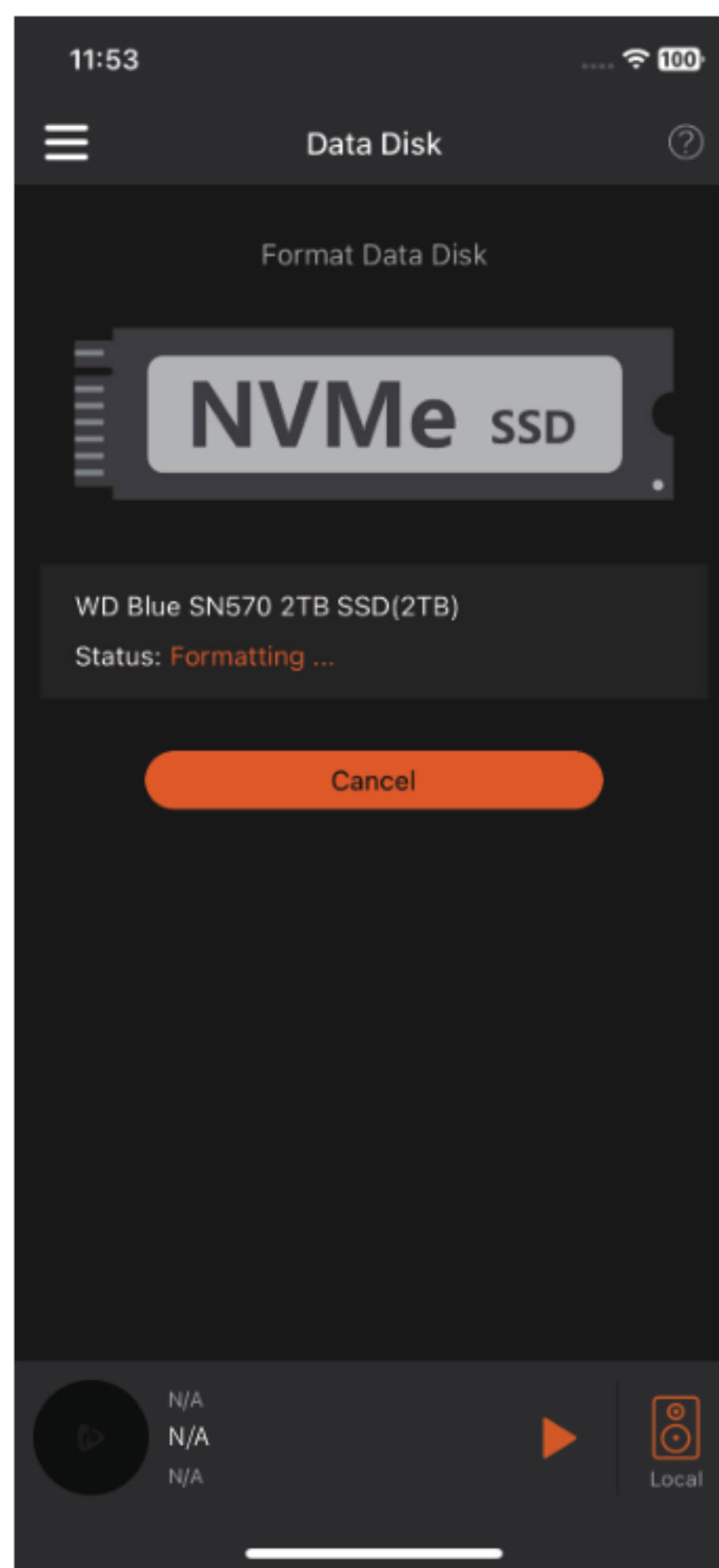
16.Format Data Disk

1. To use the SSD, you need to click on the "Format Data Disk" button, with a status of "Formatting...", and wait for the formatting to complete before displaying "Formatting Complete" to use the data disk

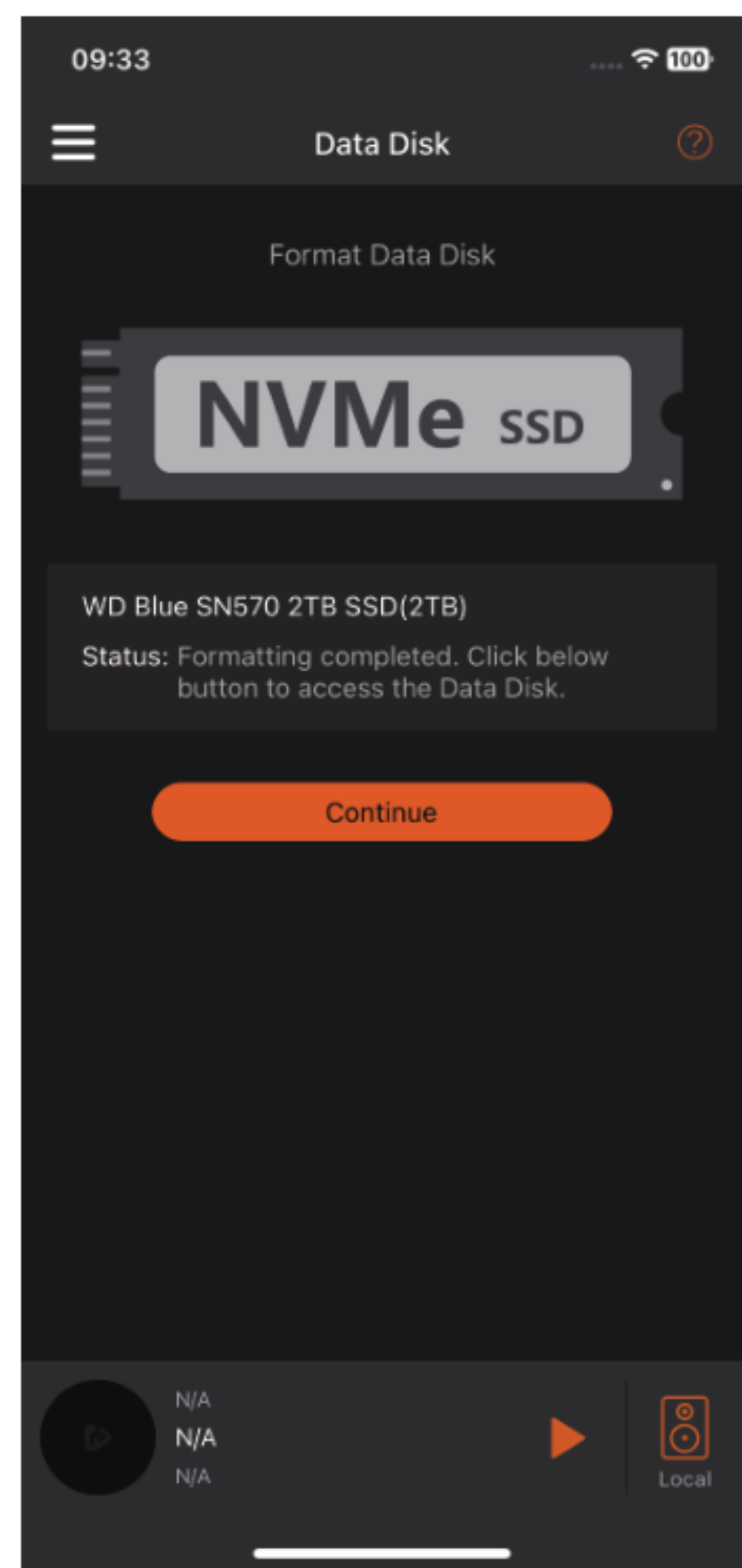
Note: If formatting fails, please retry 'Format Data Disk'.



Unformatted
(requires formatting)



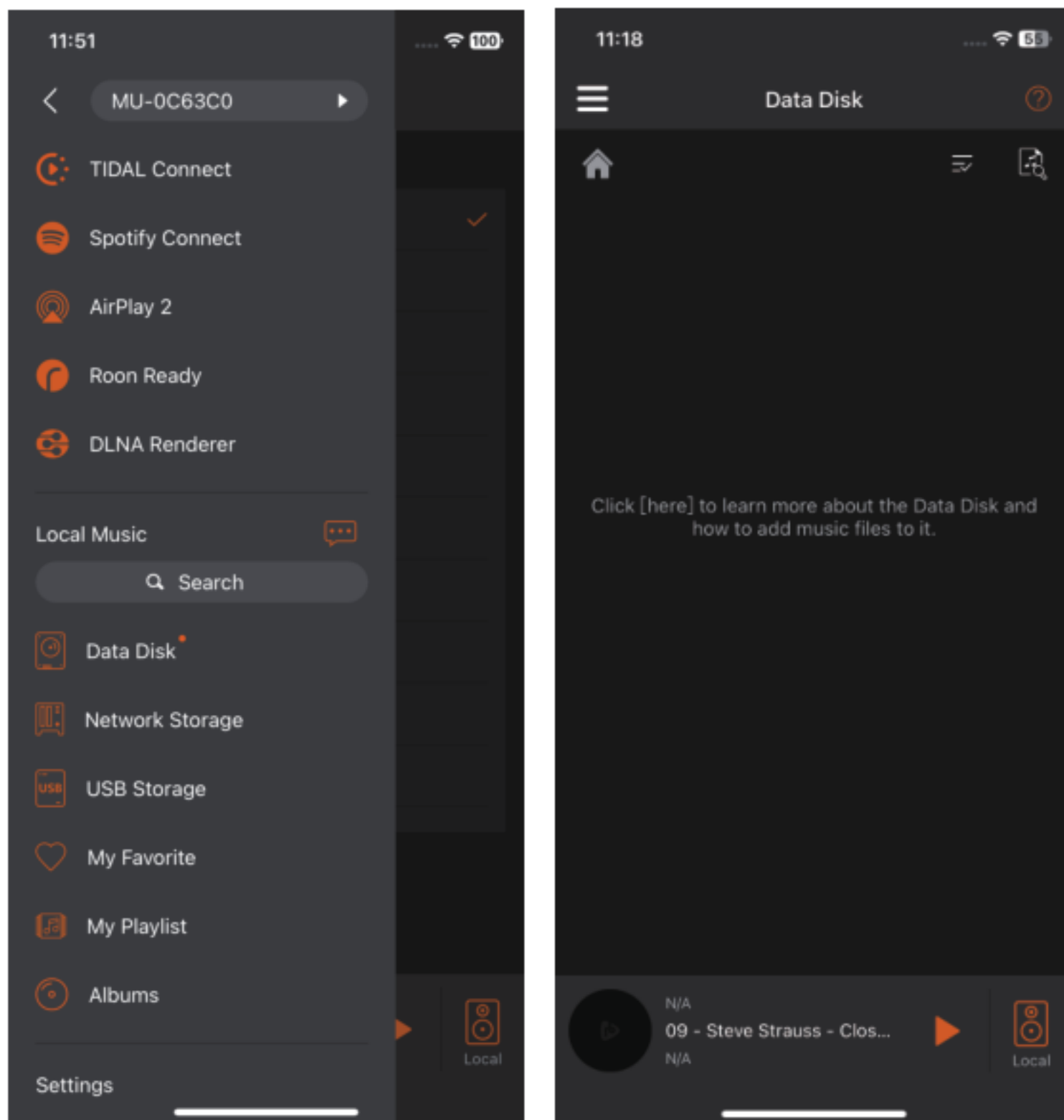
Formatting



Completed

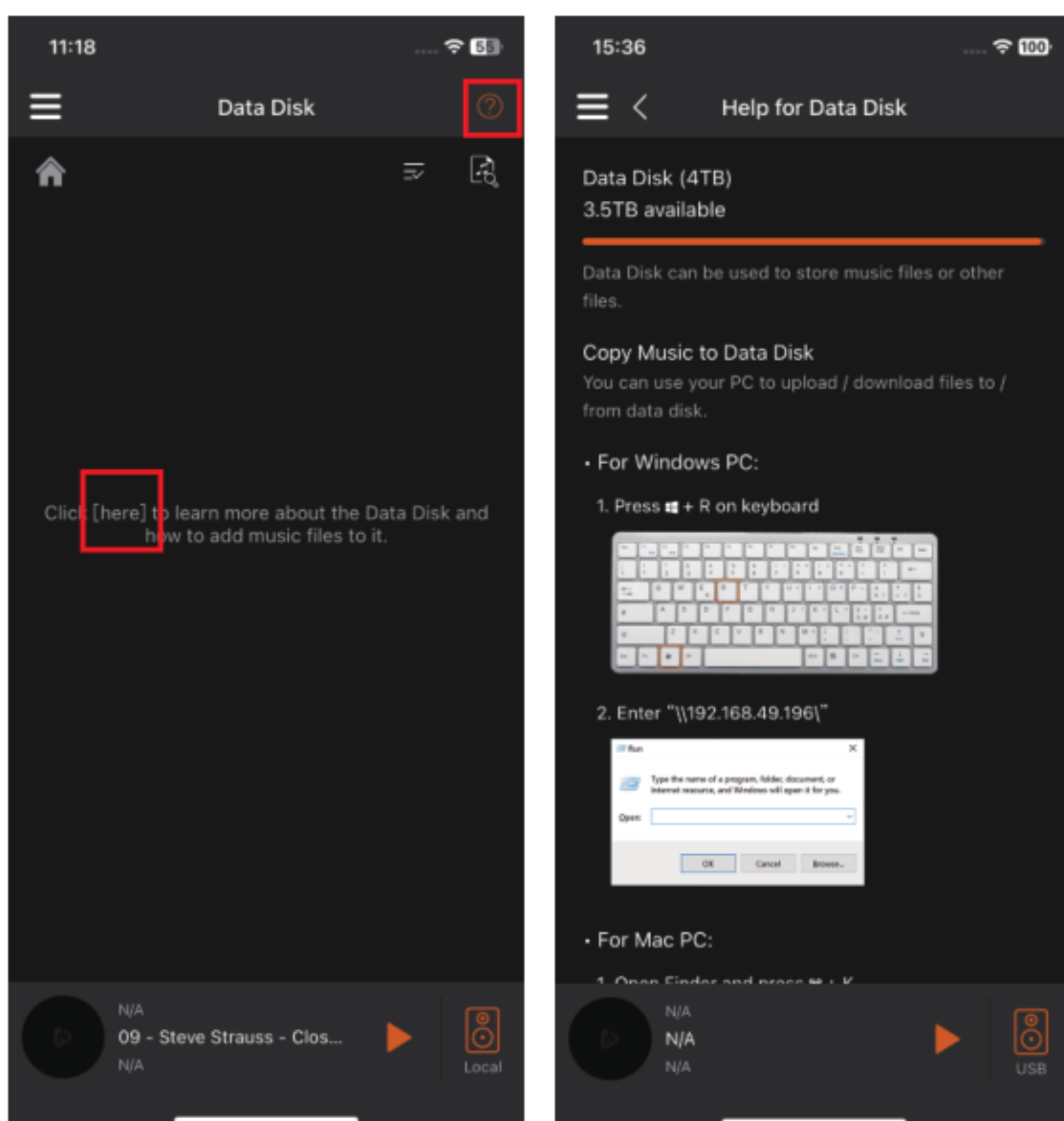
17. Enter the data disk

1. After completing the formatting of the data disk, enter the "Data Disk" and it will show empty, indicating that there are no music files



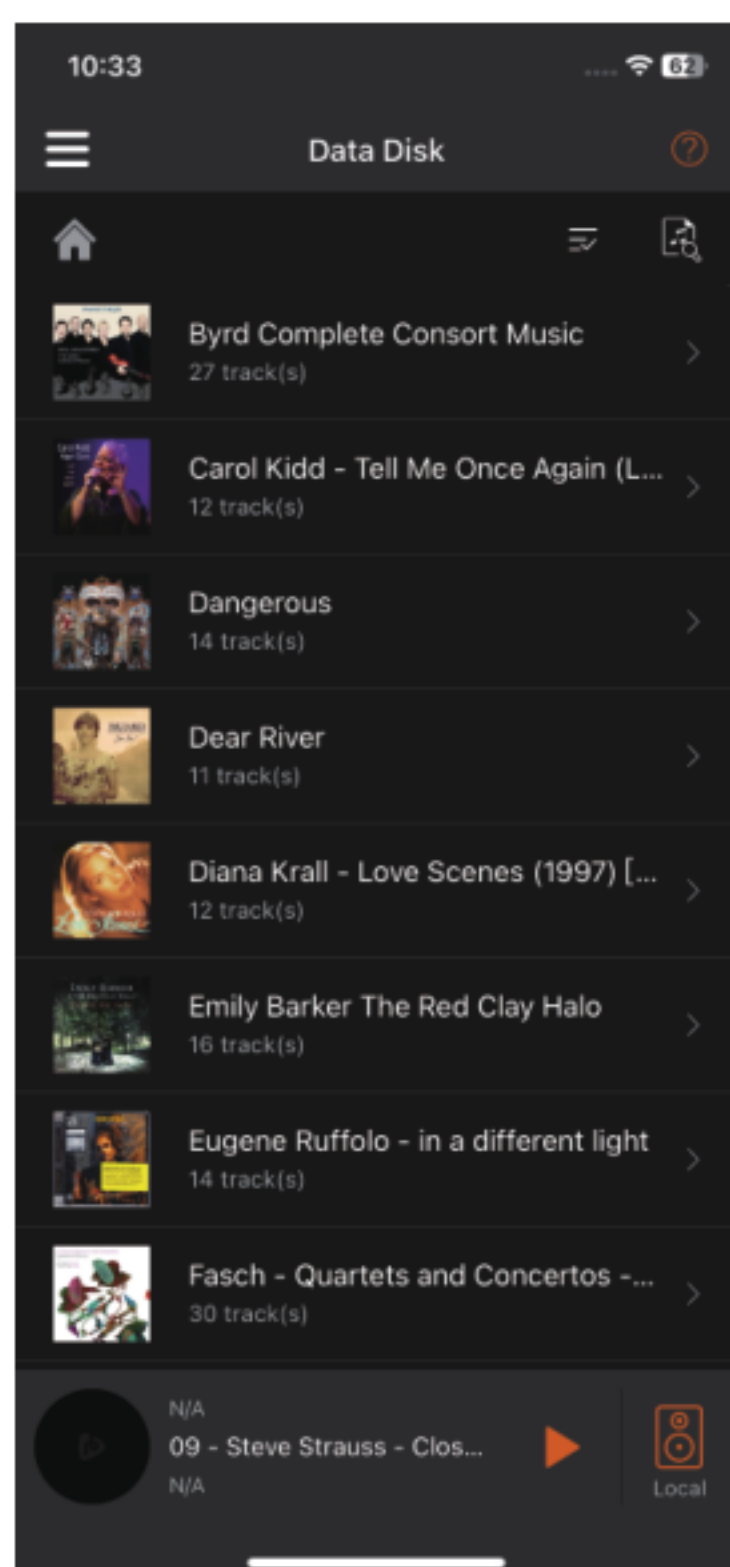
18. Learn how to add music files to a data drive

1. Click on the "here" text or "?" button to enter the "Help for Data Disk" interface, which explains how to use the computer to add music files to the data disk.



19. Music files have been added to the data disk

1. After adding music files to the data disk, enter the "Data Disk" interface to view the added music files.





SILENT ANGEL

Trademark Attribution Notice

Windows is a trademark or registered trademarks of Microsoft Corporation in the United States and other countries. iOS is a trademark or registered trademark of Cisco in the U.S. and other countries. Android is a trademark of Google LLC, registered in the U.S. and other countries. Mac and macOS are trademarks of Apple Inc., registered in the U.S. and other countries. Apple is a trademark of Apple Inc., registered in the U.S. and other countries.