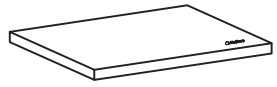


Copenhagen Base Copenhagen 1
Copenhagen 2 Copenhagen 3



Ax1



B1x3



B2x3



B3x3



Cx1



Dx3



Ex3



Fx3



M6x20

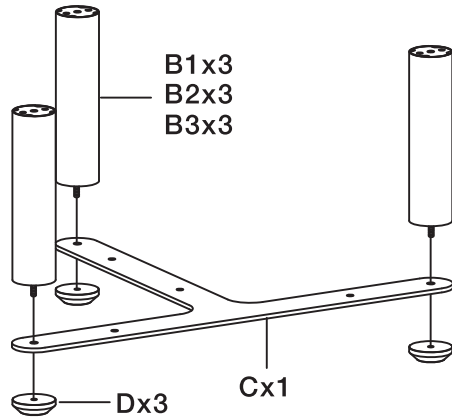


4mm



Ix1

1

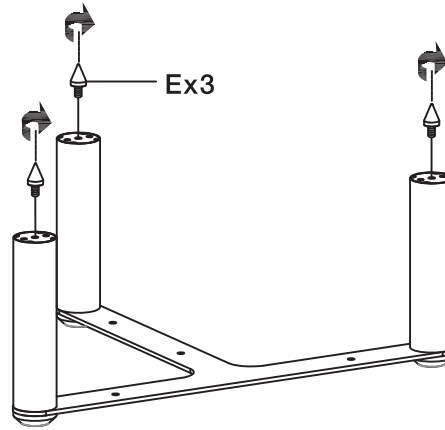


B1x3
B2x3
B3x3

Dx3

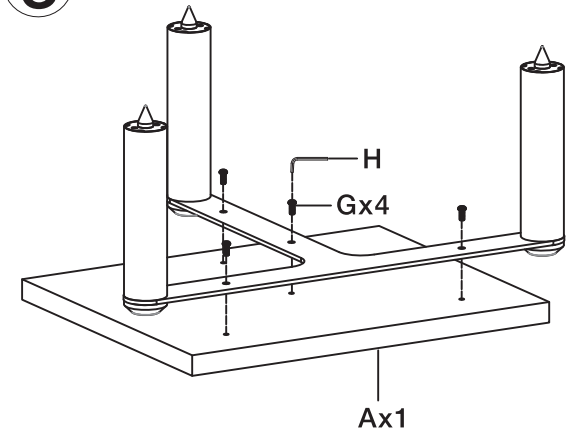
Cx1

2



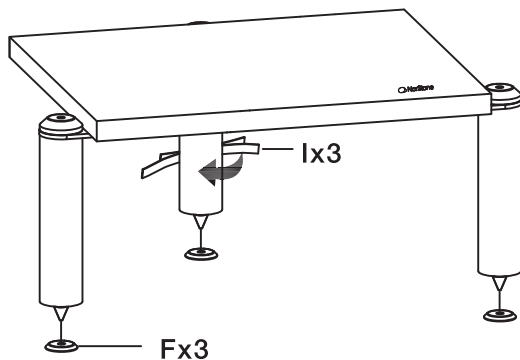
Ex3

3



Ax1

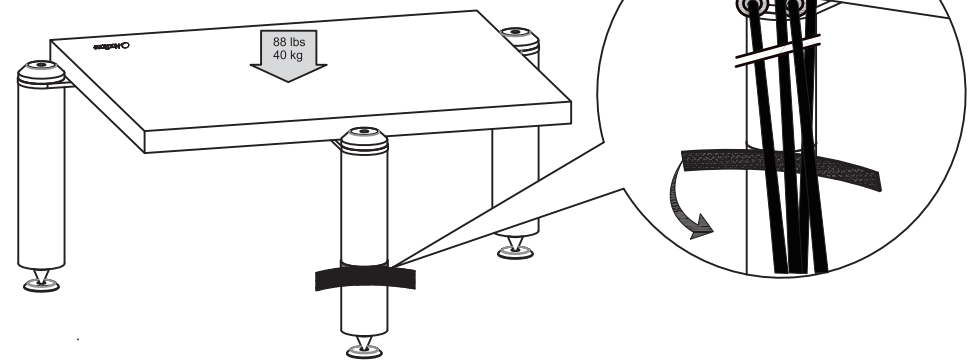
4



Ix3

Fx3

5



88 lbs
40 kg

